



Two-way high-pressure ball valves

BVS2 ISO 6162 (Integrated SAE Flanged Port 61/62)



INTRODUCTION

Holmbury's BVS2 Series two-way high-pressure ball valves are designed to suit a wide range of applications. These valves should not be used as flow control valves and should therefore always be fully open or closed.



CONSTRUCTION

- AISI 316 stainless steel body (Some internal components carbon steel)
- Zinc alloy handle
- Forged steel option available
- Fitted with FKM and POM seals as standard
- Also available in carbon steel (See BVC2 Series)

FEATURES

- Floating ball design maximises sealing
- Full bore valves provide unrestricted flow path for negligible pressure drop
- Open to close in 1/4 turn
- Offset handle allows clearance for easy operation

ACCESSORIES

- Valve locking kits and valve handles are available for the BVS2 Series

SPECIFICATIONS

- Operating temperatures (With FKM seals): -20°C (-4°F) to 200°C (392°F)
- BVS2 - Ball Valve - (DN12-125)

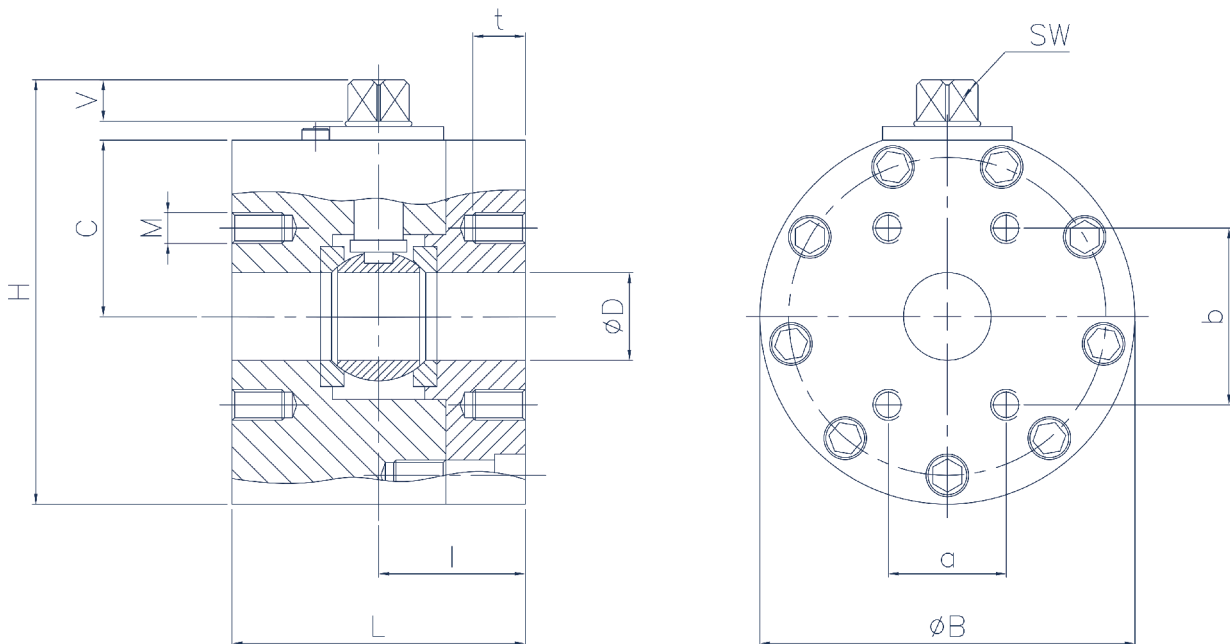
APPLICATIONS

- Marine
- Offshore
- Pharmaceutical
- Power Generation

BVS2 PERFORMANCE CHARACTERISTICS

Body Size	BVS212		BVS219		BVS225		BVS232		BVS240		BVS250		BVS265	
	FP1-C	FP2-C	FP1-C	FP2-C	FP1-C	FP2-C	FP1-C	FP2-C	FP1-C	FP2-C	FP1-C	FP2-C	FP1-C	FP2-C
	Pressure in bar - Flow in LPM Pressure in PSI - Flow in GPM													
Maximum working pressure	210	420	210	420	210	420	210	420	210	420	210	420	210	420
	3000	6000	3000	6000	3000	6000	3000	6000	3000	6000	3000	6000	3000	6000
Burst pressure	840	1680	840	1680	840	1680	840	1680	840	1680	840	1680	840	1680
	12180	24360	12180	24360	12180	24360	12180	24360	12180	24360	12180	24360	12180	24360
Rated flow	45	45	100	100	189	189	250	250	379	379	757	757	1560	1560
	12	12	26.4	26.4	50	50	66	66	100	100	200	200	416	416

For larger bore sizes please contact our sales team



BVS2 (Integrated SAE Flange) 210 Bar

Part Number	DN	D	L	I	B	C	H	V	SW	a	b	M	t
BVS2-12-FP1-C	12	15	75	35	78	31	83	11	12	17.5	38.1	M8	16
BVS2-19-FP1-C	19	20	80	35	98	37	100	12	14	22.2	47.6	M10	18
BVS2-25-FP1-C	25	25	88	38	117	39.5	113	12	14	26.2	52.4	M10	18
BVS2-32-M10-FP1-C	32	30	100	50	145	68	160	14	17	30.2	58.7	M10	20
BVS2-32-M12-FP1-C	32	30	100	50	145	68	160	14	17	30.2	58.7	M12	20
BVS2-40-FP1-C	40	38	110	55	165	78	180	14	17	35.7	69.8	M12	20
BVS2-50-FP1-C	50	48	116	58	197	94	213	14	17	42.9	77.8	M12	20
BVS2-65-FP1-C	65	60	150	75	197	92	209	14	17	50.8	88.9	M12	20

BVS2 (Integrated SAE Flange) 420 Bar

Part Number	DN	D	L	I	B	C	H	V	SW	a	b	M	t
BVS2-12-FP2-C	12	15	75	35	78	31	83	11	12	18.2	40.5	M8	16
BVS2-19-FP2-C	19	20	80	35	98	37	100	12	14	23.8	50.8	M10	18
BVS2-25-FP2-C	25	25	88	38	117	39.5	113	12	14	27.8	57.2	M12	20
BVS2-32-FP2-C	32	30	100	50	145	68	160	14	17	31.8	66.7	M14	22
BVS2-40-FP2-C	40	38	110	55	165	78	180	14	17	36.5	79.4	M16	24
BVS2-50-FP2-C	50	48	116	58	197	94	213	14	17	44.5	96.8	M20	28