



## Two-way high-pressure ball valves

### BVS2 Series (Weld Ends - Rated 160 Bar)



#### INTRODUCTION

Holmbury's BVS2 Series two-way high-pressure ball valves are designed to suit a wide range of applications. These valves should not be used as flow control valves and should therefore always be fully open or closed.



#### CONSTRUCTION

- AISI 316 stainless steel body (Some internal components carbon steel)
- Zinc alloy handle
- Forged steel option available
- Fitted with FKM and POM seals as standard
- Also available in carbon steel (See BVC2 Series)

#### FEATURES

- Floating ball design maximises sealing
- Full bore valves provide unrestricted flow path for negligible pressure drop
- Open to close in 1/4 turn
- Offset handle allows clearance for easy operation

#### ACCESSORIES

- Valve locking kits and valve handles are available for the BVS2 Series



#### SPECIFICATIONS

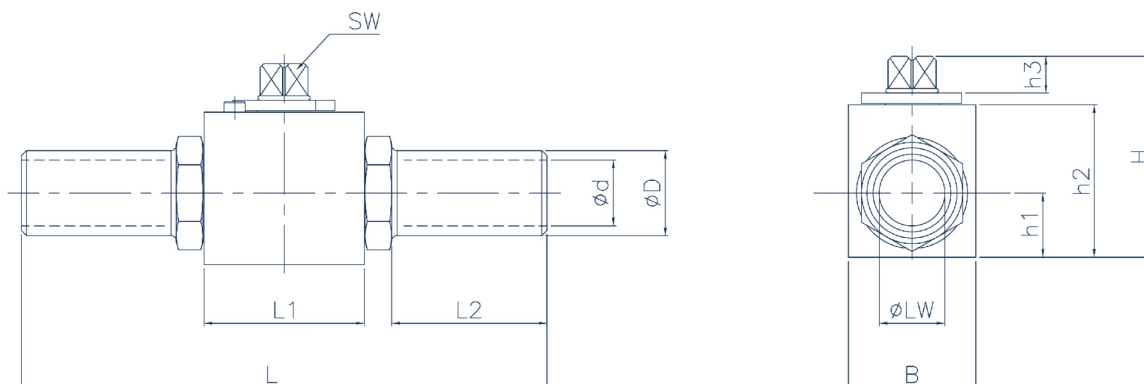
- Operating temperatures (With FKM seals): -20°C (-4°F) to 200°C (392°F)
- BVS2 - Ball Valve - Square Body (DN10-25)
- BVS2(O) - Ball Valve - Octagonal Body (DN32-50)

#### APPLICATIONS

- Marine
- Offshore
- Pharmaceutical
- Power Generation

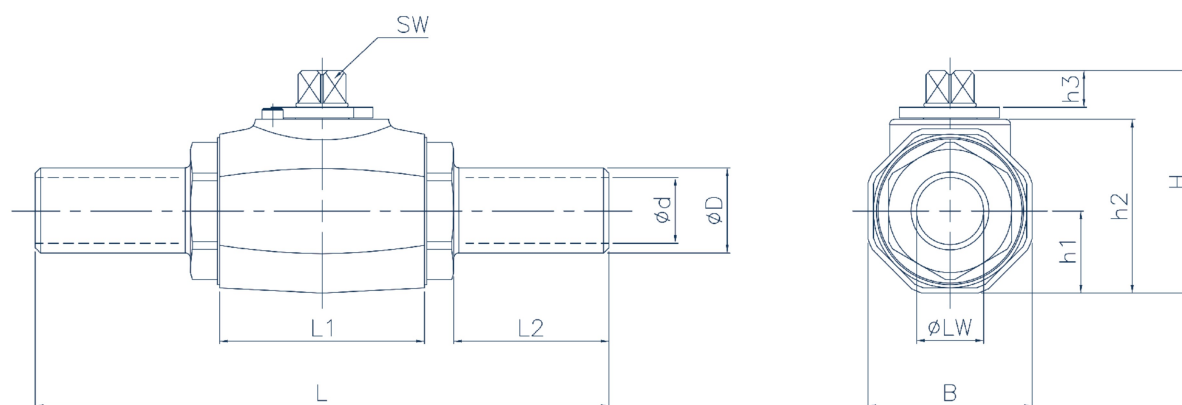
#### BVS2 PERFORMANCE CHARACTERISTICS

Body Size	BVS210	BVS212	BVS216	BVS219	BVS225	BVS232	BVS240	BVS250
	Pressure in bar - Flow in LPM Pressure in PSI - Flow in GPM							
Maximum working pressure	160	160	160	160	160	160	160	160
	870	870	870	870	870	870	870	870
Burst pressure	640	640	640	640	640	640	640	640
	3480	3480	3480	3480	3480	3480	3480	3480
Rated flow	23	45	74	100	189	250	379	757
	6.1	12	20	26.4	50	66	100	200



### WELD ENDS (Rated 160 Bar)

Part Number	DN	LW	L	L1	L2	B	H	h1	h2	h3	d	D	SW
BVS2-10-WE-17.2-10	10	10	150	42	42	32	52.5	17	40	8	10	17.2	9
BVS2-12-WE-21.3-13	12	13	180	48	51	35	52.5	17	40	8	13	21.3	9
BVS2-16-WE-21.3-15	16	15	180	47	55	38	63.5	19	46	11	15	21.3	12
BVS2-19-WE-26.9-20	19	20	200	60	50	48	75	24	57	12	20	26.9	14
BVS2-19-WE-33.7-25	19	20	200	60	50	48	75	24	57	12	25	33.7	14
BVS2-25-WE-33.7-25	25	25	210	65	51	57	82	28.5	64	12	25	33.7	14
BVS2-25-WE-42.2-30	25	25	210	65	51	57	82	28.5	64	12	30	42.2	14



### WELD ENDS (Rated 160 Bar)

Part Number	DN	LW	L	L1	L2	B	H	h1	h2	h3	d	D	SW
BVS2(O)-32-WE-42.2-30	32	30	260	84	70	82	108	41	87.5	14	30	42.2	17
BVS2(O)-32-WE-48.3-38	32	30	260	84	70	82	108	41	87.5	14	38	48.3	17
BVS2(O)-40-WE-48.3-38	40	38	270	91	72	93	119.5	46.5	99	14	38	48.3	17
BVS2(O)-40-WE-60.3-48	40	38	270	91	72	93	119.5	46.5	99	14	48	60.3	17
BVS2(O)-50-WE-60.3-48	50	48	300	100	72	110	135.5	55	115	14	48	60.3	17
BVS2(O)-50-WE-76.1-63	50	48	300	100	72	110	135.5	55	115	14	63	76.1	17