



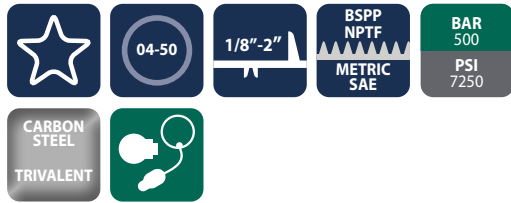
Three-way high-pressure ball valves

BVC3 Series



INTRODUCTION

Holmbury's BVC3 Series three-way high-pressure ball valves are designed to suit a wide range of applications. These valves should not be used as flow control valves and should therefore always be fully open or closed.



CONSTRUCTION

- Carbon steel body with trivalent plating
- Zinc alloy handle
- Forged steel option available
- Fitted with NBR and POM seals as standard
- Also available in AISI 316 stainless steel (See BVS3 Series)

FEATURES

- Available in 'L' port (standard) and 'T' port (optional)
- One piece body design provides additional strength
- Full bore valves provide unrestricted flow path for negligible pressure drop
- 90° operation
- Offset handle allows clearance for easy operation



ACCESSORIES

- Valve locking kits and valve handles are available for the BVC3 Series

SPECIFICATIONS

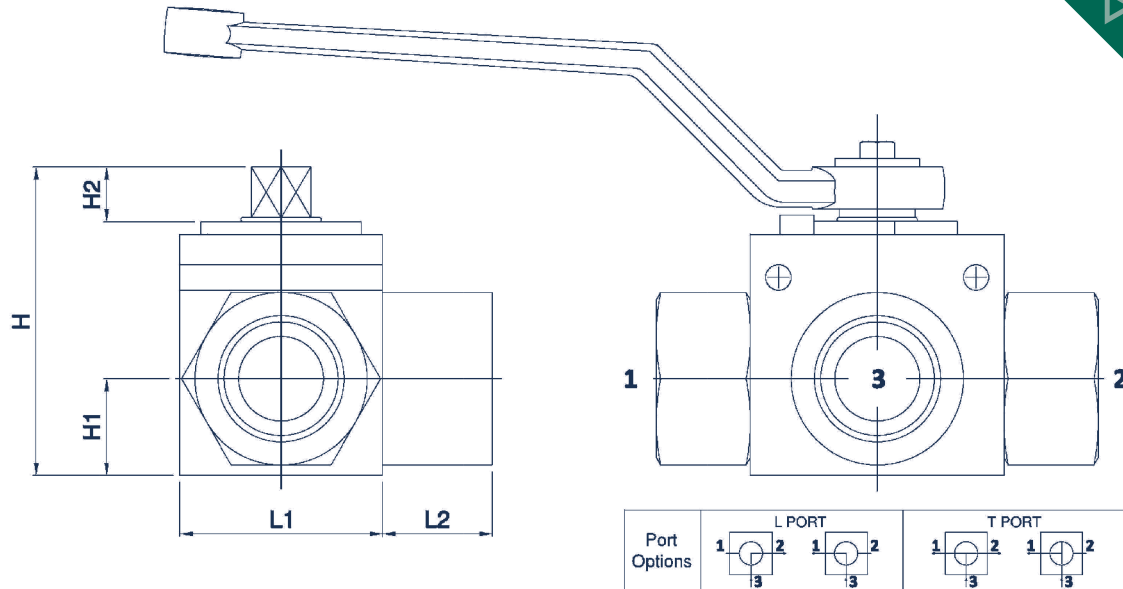
- Operating temperatures (With NBR seals): -40°C (-40°F) to 106°C (223°F)

APPLICATIONS

- Construction
- Mobile Hydraulics
- Test Equipment
- Machine Tools
- General Hydraulics
- Agricultural

BVC3 PERFORMANCE CHARACTERISTICS

Body Size	BVC304	BVC306	BVC310	BVC312	BVC319	BVC325	BVC332	BVC340	BVC350
	Pressure in bar - Flow in LPM Pressure in PSI - Flow in GPM								
Maximum working pressure	500 7250	500 7250	500 7250	500 7250	500 7250	500 7250	350 5075	350 5075	350 5075
Burst pressure	2000 29000	2000 29000	2000 29000	2000 29000	2000 29000	2000 29000	1400 20300	1400 20300	1400 20300
Rated flow	3 0.8	12 3.2	23 6.1	45 12	100 26.4	189 50	250 66	379 100	757 200



BVC3 SERIES

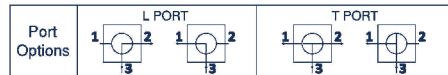
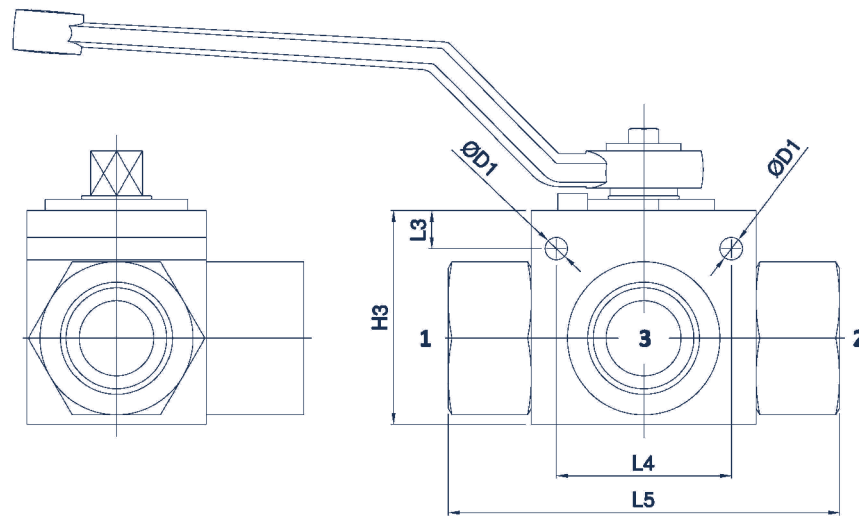
Body Size	Part Number	Thread Size	H		H1		H2		L1		L2	
			mm	inch	mm	inch	mm	inch	mm	inch	mm	inch
04 (1/8)	BVC3-04-02G	1/8 BSPP	44.2	1.74	13.0	0.51	8.1	0.32	28.0	1.10	21.0	0.83
	BVC3-04-02N	1/8 NPTF	44.2	1.74	13.0	0.51	8.1	0.32	28.0	1.10	21.0	0.83
06 (1/4)	BVC3-06-04G	1/4 BSPP	44.2	1.74	13.0	0.51	8.7	0.34	28.0	1.10	21.0	0.83
	BVC3-06-04N	1/4 NPTF	44.2	1.74	13.0	0.51	8.7	0.34	28.0	1.10	21.0	0.83
	BVC3-06-04S	7/16-20 UNF	44.2	1.74	13.0	0.51	8.7	0.34	28.0	1.10	21.0	0.83
10 (3/8)	BVC3-10-06G	3/8 BSPP	52.2	2.06	17.0	0.67	8.7	0.34	32.0	1.26	20.0	0.79
	BVC3-10-06N	3/8 NPTF	52.2	2.06	17.0	0.67	8.7	0.34	32.0	1.26	20.0	0.79
	BVC3-10-06S	9/16-18 UNF	52.2	2.06	17.0	0.67	8.7	0.34	32.0	1.26	20.0	0.79
12 (1/2)	BVC3-12-08G	1/2 BSPP	52.2	2.06	17.0	0.67	8.7	0.34	35.0	1.38	22.5	0.89
	BVC3-12-08N	1/2 NPTF	52.2	2.06	17.0	0.67	8.7	0.34	35.0	1.38	22.5	0.89
	BVC3-12-08S	3/4-16 UNF	52.2	2.06	17.0	0.67	8.7	0.34	35.0	1.38	22.5	0.89
19 (3/4)	BVC3-19-12G	3/4 BSPP	75.2	2.96	24.0	0.94	13.7	0.54	48.0	1.89	25.0	0.98
	BVC3-19-12N	3/4 NPTF	75.2	2.96	24.0	0.94	13.7	0.54	48.0	1.89	25.0	0.98
	BVC3-19-12S	1 1/16-12 UN	75.2	2.96	24.0	0.94	13.7	0.54	48.0	1.89	25.0	0.98
25 (1)	BVC3-25-16G	1 BSPP	82.2	3.24	28.5	1.12	13.7	0.54	57.0	2.24	28.0	1.10
	BVC3-25-16N	1 NPTF	82.2	3.24	28.5	1.12	13.7	0.54	57.0	2.24	28.0	1.10
	BVC3-25-16S	1 5/16-12 UN	82.2	3.24	28.5	1.12	13.7	0.54	57.0	2.24	28.0	1.10
32 (1 1/4)	BVC3-32-20G	1 1/4 BSPP	104.5	4.11	37.5	1.48	16.0	0.63	75.0	2.95	17.5	0.69
	BVC3-32-20N	1 1/4 NPTF	104.5	4.11	37.5	1.48	16.0	0.63	75.0	2.95	17.5	0.69
	BVC3-32-20S	1 5/8-12 UN	104.5	4.11	37.5	1.48	16.0	0.63	75.0	2.95	17.5	0.69
40 (1 1/2)	BVC3-40-24G	1 1/2 BSPP	115.5	4.55	42.5	1.67	16.0	0.63	85.0	3.35	22.5	0.89
	BVC3-40-24N	1 1/2 NPTF	115.5	4.55	42.5	1.67	16.0	0.63	85.0	3.35	22.5	0.89
	BVC3-40-24S	1 7/8-12 UN	115.5	4.55	42.5	1.67	16.0	0.63	85.0	3.35	22.5	0.89
50 (2)	BVC3-50-32G	2 BSPP	133.0	5.24	52.5	2.07	16.0	0.63	105.0	4.13	17.5	0.69
	BVC3-50-32N	2 NPTF	133.0	5.24	52.5	2.07	16.0	0.63	105.0	4.13	17.5	0.69
	BVC3-50-32S	2 1/2-12 UN	133.0	5.24	52.5	2.07	16.0	0.63	105.0	4.13	17.5	0.69

For all other configurations or thread types please contact the sales office.





Three-way high-pressure ball valves



BVC3 SERIES

Body Size	Part Number	Thread Size	H3		L3		D1		L4		L5	
			mm	inch	mm	inch	mm	inch	mm	inch	mm	inch
04 (1/8)	BVC3-04-02G	1/8 BSPP	32.0	1.26	5.0	0.20	4.5	0.18	26.0	1.02	69.0	2.72
	BVC3-04-02N	1/8 NPTF	32.0	1.26	5.0	0.20	4.5	0.18	26.0	1.02	69.0	2.72
06 (1/4)	BVC3-06-04G	1/4 BSPP	32.0	1.26	5.0	0.20	4.5	0.18	26.0	1.02	69.0	2.72
	BVC3-06-04N	1/4 NPTF	32.0	1.26	5.0	0.20	4.5	0.18	26.0	1.02	69.0	2.72
	BVC3-06-04S	7/16-20 UNF	32.0	1.26	5.0	0.20	4.5	0.18	26.0	1.02	69.0	2.72
10 (3/8)	BVC3-10-06G	3/8 BSPP	40.0	1.57	5.0	0.20	6.5	0.26	32.0	1.26	72.0	2.83
	BVC3-10-06N	3/8 NPTF	40.0	1.57	5.0	0.20	6.5	0.26	32.0	1.26	72.0	2.83
	BVC3-10-06S	9/16-18 UNF	40.0	1.57	5.0	0.20	6.5	0.26	32.0	1.26	72.0	2.83
12 (1/2)	BVC3-12-08G	1/2 BSPP	40.0	1.57	4.8	0.19	6.5	0.26	37.5	1.48	83.0	3.27
	BVC3-12-08N	1/2 NPTF	40.0	1.57	4.8	0.19	6.5	0.26	37.5	1.48	83.0	3.27
	BVC3-12-08S	3/4-16 UNF	40.0	1.57	4.8	0.19	6.5	0.26	37.5	1.48	83.0	3.27
19 (3/4)	BVC3-19-12G	3/4 BSPP	57.0	2.24	6.5	0.26	6.5	0.26	45.0	1.77	95.0	3.74
	BVC3-19-12N	3/4 NPTF	57.0	2.24	6.5	0.26	6.5	0.26	45.0	1.77	95.0	3.74
	BVC3-19-12S	1 1/16-12 UN	57.0	2.24	6.5	0.26	6.5	0.26	45.0	1.77	95.0	3.74
25 (1)	BVC3-25-16G	1 BSPP	64.0	2.52	6.0	0.24	6.7	0.26	55.0	2.17	113.0	4.45
	BVC3-25-16N	1 NPTF	64.0	2.52	6.0	0.24	6.7	0.26	55.0	2.17	113.0	4.45
	BVC3-25-16S	1 5/16-12 UN	64.0	2.52	6.0	0.24	6.7	0.26	55.0	2.17	113.0	4.45
32 (1 1/4)	BVC3-32-20G	1 1/4 BSPP	84.0	3.31	9.0	0.35	10.8	0.43	66.0	2.60	110.0	4.33
	BVC3-32-20N	1 1/4 NPTF	84.0	3.31	9.0	0.35	10.8	0.43	66.0	2.60	110.0	4.33
	BVC3-32-20S	1 5/8-12 UN	84.0	3.31	9.0	0.35	10.8	0.43	66.0	2.60	110.0	4.33
40 (1 1/2)	BVC3-40-24G	1 1/2 BSPP	95.0	3.74	9.0	0.35	10.8	0.43	72.0	2.83	130.0	5.12
	BVC3-40-24N	1 1/2 NPTF	95.0	3.74	9.0	0.35	10.8	0.43	72.0	2.83	130.0	5.12
	BVC3-40-24S	1 7/8-12 UN	95.0	3.74	9.0	0.35	10.8	0.43	72.0	2.83	130.0	5.12
50 (2)	BVC3-50-32G	2 BSPP	112.5	4.43	9.0	0.35	10.8	0.43	80.0	3.15	140.0	5.51
	BVC3-50-32N	2 NPTF	112.5	4.43	9.0	0.35	10.8	0.43	80.0	3.15	140.0	5.51
	BVC3-50-32S	2 1/2-12 UN	112.5	4.43	9.0	0.35	10.8	0.43	80.0	3.15	140.0	5.51

For all other configurations or thread types please contact the sales office.