



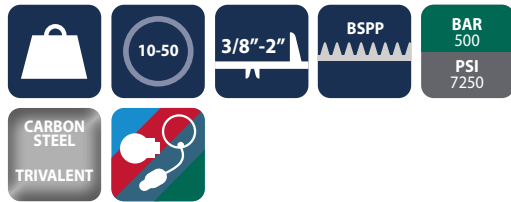
# Screw to connect heavy duty couplings

## HSC Series



### INTRODUCTION

Holmbury's HSC Series screw to connect couplings are designed for heavy-duty, high pressure pulse applications. The unique design is built to withstand the most severe pressure pulses where other couplings fail.



### CONSTRUCTION

- Carbon steel with trivalent plating
- Available only with BSPP threads
- Fitted with FKM seals

### FEATURES

- Screw to connect design eliminates brinelling
- Bidirectional flow
- Once connected all internal parts are held rigid which significantly reduces fatigue of the poppet, spring and coupling body
- Can be connected and disconnected under pressure
- All internal components are replaceable
- Supplied with caps and plugs to protect threads and limit inclusion of contaminant

### ACCESSORIES

- Dust caps, plugs, seal kits, repair kits, weldable brackets, spanner and tool sets are available for the HSC Series

### SPECIFICATIONS

- Operating temperatures (With FKM seals): -20°C (-4°F) to 200°C (392°F)

### APPLICATIONS

- Intense pressure pulse applications
- Demolition
- Hammer circuits
- Shears
- Rock crushers

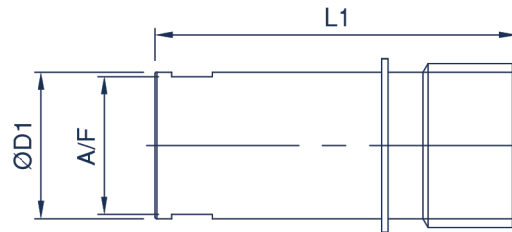
### HSC PERFORMANCE CHARACTERISTICS

Body Size	HSC10	HSC12	HSC19	HSC25	HSC32	HSC40	HSC50
	Pressure in bar - Flow in LPM						
	Pressure in PSI - Flow in GPM						
Maximum working pressure (Coupled)	500 7250	450 6525	400 5800	350 5075	320 4640	300 4350	250 3625
Burst pressure (Coupled)	2000 29000	1800 26100	1600 23200	1400 20300	1280 18560	1200 17400	1000 14500
Burst pressure (Male)	2000 29000	1800 26100	1600 23200	1400 20300	1280 18560	1200 17400	1000 14500
Burst pressure (Female)	2000 29000	1800 26100	1600 23200	1400 20300	1280 18560	1200 17400	1000 14500
Rated flow	68 18	90 24	170 45	312 82	425 112	625 165	1080 285

### CAPS/PLUGS ACCESSORIES

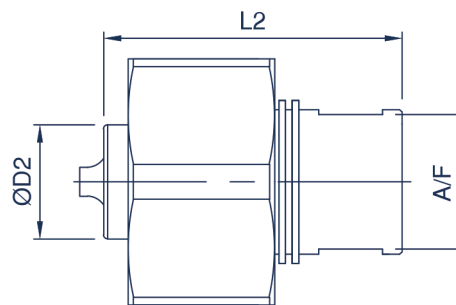
FEMALE CAPS	MALE PLUGS
HSC10-F-CAP	HSC10-M-PLUG
HSC12-F-CAP	HSC12-M-PLUG
HSC19-F-CAP	HSC19-M-PLUG
HSC25-F-CAP	HSC25-M-PLUG
HSC32-F-CAP	HSC32-M-PLUG
HSC40-F-CAP	HSC40-M-PLUG
HSC50-F-CAP	HSC50-M-PLUG

Standard material is black nylon



## HSC FEMALE COUPLING

Body Size	Part Number	Thread Size	D1		A/F		L1	
			mm	inch	mm	inch	mm	inch
10 (3/8)	HSC10-F-06G	3/8 BSPP	30.0	1.18	22.0	0.87	77.0	3.03
12 (1/2)	HSC12-F-08G	1/2 BSPP	35.0	1.38	26.0	1.02	95.0	3.74
19 (3/4)	HSC19-F-12G	3/4 BSPP	40.0	1.57	30.0	1.18	99.5	3.92
25 (1)	HSC25-F-16G	1 BSPP	52.0	2.05	40.0	1.57	106.0	4.17
32 (1 1/4)	HSC32-F-20G	1 1/4 BSPP	60.0	2.36	48.0	1.89	118.0	4.65
40 (1 1/2)	HSC40-F-24G	1 1/2 BSPP	68.0	2.68	55.0	2.17	121.0	4.76
50 (2)	HSC50-F-32G	2 BSPP	90.5	3.56	76.0	2.99	165.0	6.50



## HSC MALE COUPLING

Body Size	Part Number	Thread Size	D2		L2		A/F	
			mm	inch	mm	inch	mm	inch
10 (3/8)	HSC10-M-06G	3/8 BSPP	22.0	0.87	57.0	2.24	22.0	0.87
12 (1/2)	HSC12-M-08G	1/2 BSPP	26.0	1.02	70.5	2.78	26.0	1.02
19 (3/4)	HSC19-M-12G	3/4 BSPP	28.0	1.10	73.0	2.87	30.0	1.18
25 (1)	HSC25-M-16G	1 BSPP	38.0	1.50	81.5	3.21	40.0	1.57
32 (1 1/4)	HSC32-M-20G	1 1/4 BSPP	47.5	1.87	88.0	3.46	48.0	1.89
40 (1 1/2)	HSC40-M-24G	1 1/2 BSPP	57.0	2.24	90.0	3.54	55.0	2.17
50 (2)	HSC50-M-32G	2 BSPP	75.0	2.95	120.0	4.72	76.0	2.99

### SEAL KITS

HSC10-F-SEAL KIT  
HSC12-F-SEAL KIT  
HSC19-F-SEAL KIT  
HSC25-F-SEAL KIT  
HSC32-F-SEAL KIT  
HSC40-F-SEAL KIT  
HSC50-F-SEAL KIT

1 seal kit contains 1 FKM O-ring and 1 PTFE Back up ring to replace female half seals.

### REPAIR KITS

HSC10-REPAIR KIT  
HSC12-REPAIR KIT  
HSC19-REPAIR KIT  
HSC25-REPAIR KIT  
HSC32-REPAIR KIT  
HSC40-REPAIR KIT  
HSC50-REPAIR KIT

1 Repair kit contains 1 FKM O-ring, 1 PTFE Back up ring, 2 poppets, 2 springs and 2 collets enough parts to rebuild 1 complete set. Tool set required.

### TOOL SET

HSC10-TOOL SET  
HSC12-TOOL SET  
HSC19-TOOL SET  
HSC25-TOOL SET  
HSC32-TOOL SET  
HSC40-TOOL SET  
HSC50-TOOL SET

Tool set required.

### SPANNER

HSC10-SPANNER  
HSC12-SPANNER  
HSC19-SPANNER  
HSC25-SPANNER  
HSC32-SPANNER  
HSC40-SPANNER  
HSC50-SPANNER

For all other configurations or thread types please contact the sales office.

### WELDABLE BRACKETS

HSC10-BRACKET  
HSC12-BRACKET  
HSC19-BRACKET  
HSC25-BRACKET  
HSC32-BRACKET  
HSC40-BRACKET  
HSC50-BRACKET