



In-line and 90° rotary couplings

CR90 Series



INTRODUCTION

Holmbury's CR90 Series 90° rotary couplings are designed to reduce torsional stress caused by rotation of hose.



CONSTRUCTION

- Carbon steel with trivalent plating
- Fitted with NBR seals
- Also available in AISI 316 stainless steel (See SS90 Series, swivel joint)

FEATURES

- Reduces torsional forces
- Can also be used in applications that are required to rotate but not under pressure, such as hose reels
- Spindle is carried on a roller bearing and has a low friction shaft seal that can rotate at maximum pressure with low torque



ACCESSORIES

- Not applicable

SPECIFICATIONS

- Operating temperatures (with NBR seals): -40°C (-40°F) to 106°C (223°F)

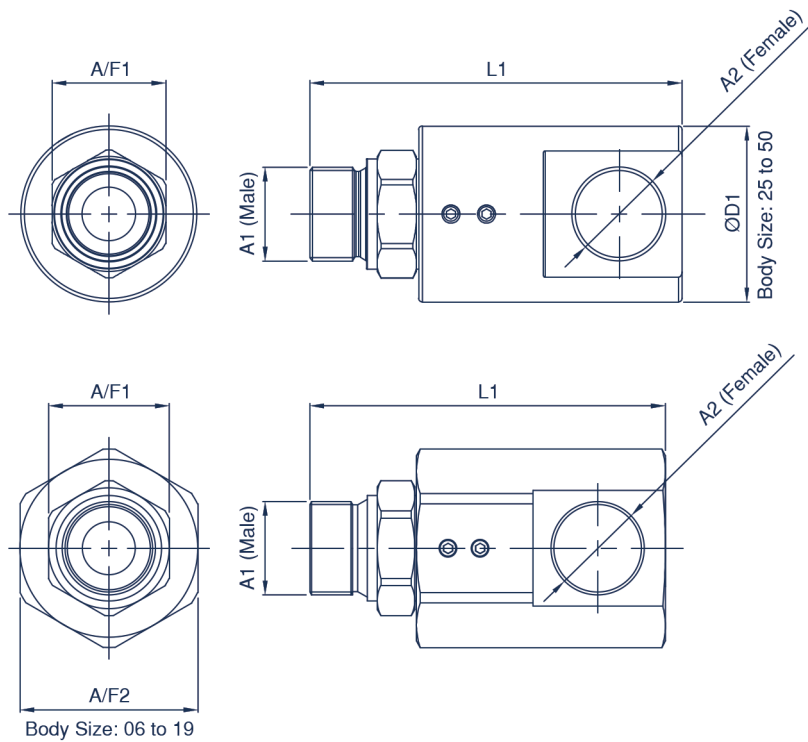
APPLICATIONS

- General hydraulic systems
- Machine tools
- Test equipment
- Agricultural
- Mobile hydraulics

CR90 PERFORMANCE CHARACTERISTICS

Body Size	CR9006	CR9010	CR9012	CR9019	CR9025	CR9032	CR9040	CR9050
	Pressure in bar - Flow in LPM							
	Pressure in PSI - Flow in GPM							
Maximum working pressure	400	400	360	310	280	250	210	180
	5800	5800	5220	4495	4060	3625	3045	2610
Maximum flow rate	25	45	80	120	150	200	250	300
	6.6	11.9	21.1	31.7	39.6	52.8	66.0	79.3
Maximum rotational speed (RPM)	500	400	370	280	230	200	170	140

CR90 Series



CR90 SERIES

Body Size	Part Number	A/F1		A1 x A2 Thread	L1		A/F2 or D1	
		mm	inch		mm	inch	mm	inch
06 (1/4)	CR90-06-04GM-04G	19.0	0.75	1/4 BSPP x BSPP	72.0	2.83	30.0	1.18
	CR90-06-04JM-04S	19.0	0.75	7/16-20 JIC x SAE ORB	71.0	2.80	30.0	1.18
	CR90-06-04NM-04N	19.0	0.75	1/4 NPTF x NPTF	72.0	2.83	30.0	1.18
10 (3/8)	CR90-10-06GM-06G	24.0	0.94	3/8 BSPP x BSPP	79.0	3.11	34.0	1.34
	CR90-10-06JM-06S	24.0	0.94	9/16-18 JIC x SAE ORB	77.0	3.03	34.0	1.34
	CR90-10-06NM-06N	24.0	0.94	3/8 NPTF x NPTF	79.0	3.11	34.0	1.34
12 (1/2)	CR90-12-08GM-08G	27.0	1.06	1/2 BSPP x BSPP	90.0	3.54	36.0	1.42
	CR90-12-08JM-08S	27.0	1.06	3/4-16 JIC x SAE ORB	88.0	3.46	36.0	1.42
	CR90-12-10JM-10S	27.0	1.06	7/8-14 JIC x SAE ORB	90.0	3.54	36.0	1.42
	CR90-12-08NM-08N	27.0	1.06	1/2 NPTF x NPTF	90.0	3.54	36.0	1.42
19 (3/4)	CR90-19-12GM-12G	34.0	1.34	3/4 BSPP x BSPP	100.0	3.94	46.0	1.81
	CR90-19-12JM-12S	34.0	1.34	1 1/16-12 JIC x SAE ORB	102.0	4.02	46.0	1.81
	CR90-19-12NM-12N	34.0	1.34	3/4 NPTF x NPTF	100.0	3.94	46.0	1.81
25 (1)	CR90-25-16GM-16G	41.0	1.61	1 BSPP x BSPP	123.0	4.84	59.0	2.32
	CR90-25-16JM-16S	41.0	1.61	1 5/16-12 JIC x SAE ORB	121.0	4.76	59.0	2.32
	CR90-25-16NM-16N	41.0	1.61	1 NPTF x NPTF	123.0	4.84	59.0	2.32
32 (1 1/4)	CR90-32-20GM-20G	50.0	1.97	1 1/4 BSPP x BSPP	134.0	5.28	78.0	3.07
	CR90-32-20JM-20S	50.0	1.97	1 5/8-12 JIC x SAE ORB	137.3	5.41	78.0	3.07
	CR90-32-20NM-20N	50.0	1.97	1 1/4 NPTF x NPTF	134.0	5.28	78.0	3.07
40 (1 1/2)	CR90-40-24GM-24G	55.0	2.17	1 1/2 BSPP x BSPP	138.0	5.43	89.0	3.50
	CR90-40-24JM-24S	55.0	2.17	1 7/8-12 JIC x SAE ORB	142.5	5.61	89.0	3.50
	CR90-40-24NM-24N	55.0	2.17	1 1/2 NPTF x NPTF	138.0	5.43	89.0	3.50
50 (2)	CR90-50-32GM-32G	70.0	2.76	2 BSPP x BSPP	159.0	6.26	98.0	3.86
	CR90-50-32JM-32S	70.0	2.76	2 1/2-12 JIC x SAE ORB	166.5	6.56	98.0	3.86
	CR90-50-32NM-32N	70.0	2.76	2 NPTF x NPTF	159.0	6.26	98.0	3.86

For all other configurations or thread types please contact the sales office.