



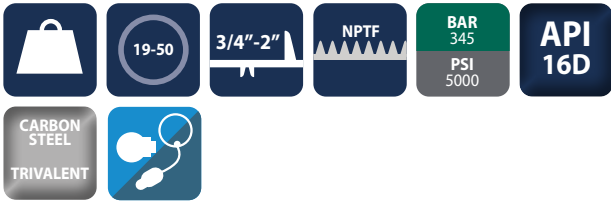
Heavy duty screw to connect couplings

LC Series



INTRODUCTION

Holmbury's LC Series heavy duty, screw to connect couplings are designed primarily for heavy duty applications.



CONSTRUCTION

- Carbon steel with trivalent plating
- Cast steel heavy duty sleeve
- Fitted with Nitrile seals

FEATURES

- API 16D certified and Lloyds approved for BOP applications in sizes 19 to 32
- Inspection hole enables check of complete connection between both halves
- Screw to connect design eliminates brinelling
- Hard wearing heavy duty sleeve
- Bidirectional flow

ACCESSORIES

- Dust caps, plugs and seal kits are available for the LC Series

SPECIFICATIONS

- Operating temperatures (With Nitrile seals): -40°C (-40°F) to 106°C (223°F)

APPLICATIONS

- Heavy duty applications
- Offshore/onshore
- Construction

LC PERFORMANCE CHARACTERISTICS

Body Size	LC19	LC25	LC32	LC40	LC50
	Pressure in bar - Flow in LPM				
	Pressure in PSI - Flow in GPM				
Maximum working pressure (Coupled)	345 5000	345 5000	345 5000	345 5000	345 5000
Burst pressure (Coupled)	1380 20015	1380 20015	1050 15225	1050 15225	1050 15225
Burst pressure (Male)	1380 20015	1380 20015	1050 15225	1050 15225	1050 15225
Burst pressure (Female)	1380 20015	1380 20015	1050 15225	1050 15225	1050 15225
Rated flow	106 28	189 50	288 76	379 100	757 200

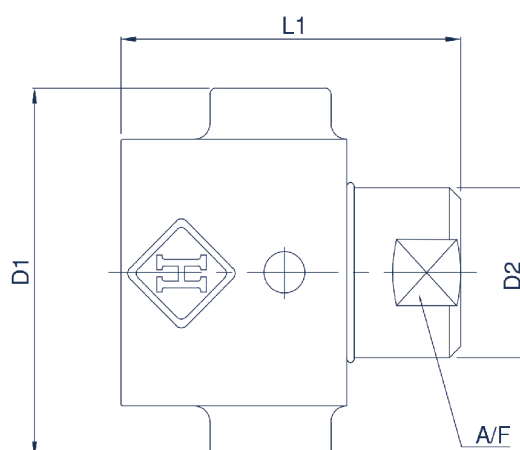
CAPS/PLUGS ACCESSORIES

FEMALE PLUGS	MALE CAPS
LC19-F-PLUG	LC19-M-CAP
LC25-F-PLUG	LC25-M-CAP
LC32-F-PLUG	LC32-M-CAP
LC40-F-PLUG	LC40-M-CAP
LC50-F-PLUG	LC50-M-CAP

Standard material is aluminium

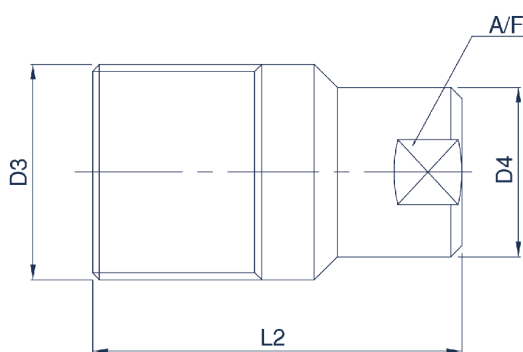
SEAL KITS

LC19-M-SEAL KIT
LC25-M-SEAL KIT
LC32-M-SEAL KIT
LC40-M-SEAL KIT
LC50-M-SEAL KIT



LC FEMALE COUPLING

Body Size	Part Number	Thread Size	D1		L1		D2		A/F	
			mm	inch	mm	inch	mm	inch	mm	inch
19 (3/4)	LC19-F-12N	3/4 NPTF	82.5	3.25	70.0	2.76	32.0	1.26	32.0	1.26
	LC19-F-12N-BOP	3/4 NPTF	82.5	3.25	70.0	2.76	32.0	1.26	32.0	1.26
25 (1)	LC25-F-16N	1 NPTF	102.0	4.02	87.0	3.43	41.0	1.61	41.0	1.61
	LC25-F-16N-BOP	1 NPTF	102.0	4.02	87.0	3.43	41.0	1.61	41.0	1.61
32 (1 1/4)	LC32-F-20N	1 1/4 NPTF	119.0	4.69	109.0	4.29	50.0	1.97	50.0	1.97
	LC32-F-20N-BOP	1 1/4 NPTF	119.0	4.69	109.0	4.29	50.0	1.97	50.0	1.97
40 (1 1/2)	LC40-F-24N	1 1/2 NPTF	138.0	5.43	128.5	5.06	58.0	2.28	58.0	2.28
50 (2)	LC50-F-32N	2 NPTF	170.0	6.69	152.0	5.98	75.0	2.95	75.0	2.95



LC MALE COUPLING

Body Size	Part Number	Thread Size	D3		L2		D4		A/F	
			mm	inch	mm	inch	mm	inch	mm	inch
19 (3/4)	LC19-M-12N	3/4 NPTF	44.5	1.75	83.0	3.27	32.0	1.26	32.0	1.26
	LC19-M-12N-BOP	3/4 NPTF	44.5	1.75	83.0	3.27	32.0	1.26	32.0	1.26
25 (1)	LC25-M-16N	1 NPTF	57.0	2.24	106.0	4.17	41.0	1.61	41.0	1.61
	LC25-M-16N-BOP	1 NPTF	57.0	2.24	106.0	4.17	41.0	1.61	41.0	1.61
32 (1 1/4)	LC32-M-20N	1 1/4 NPTF	66.5	2.62	136.0	5.35	50.0	1.97	50.0	1.97
	LC32-M-20N-BOP	1 1/4 NPTF	66.5	2.62	136.0	5.35	50.0	1.97	50.0	1.97
40 (1 1/2)	LC40-M-24N	1 1/2 NPTF	82.5	3.25	150.0	5.91	58.0	2.28	58.0	2.28
50 (2)	LC50-M-32N	2 NPTF	101.5	4.00	179.0	7.05	75.0	2.95	75.0	2.95

For all other configurations or thread types please contact the sales office.