



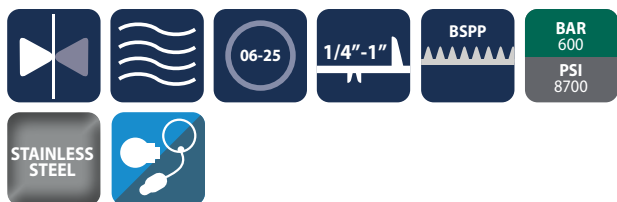
Connect under pressure high flow couplings fitted with a safety locking sleeve

FS Series



INTRODUCTION

Holmbury's FS Series 'Nordic interchange' high flow safety couplings offer three important benefits; high flow, connection under pressure and a safety locking mechanism to prevent accidental disconnection.



CONSTRUCTION

- AISI 316 stainless steel
- Fitted with FKM seals (Other seals available on request)
- Also available in carbon steel (see F Series)

FEATURES

- High flow rates
- Optional pressure eliminator allows connection with residual pressure in the hydraulic circuit (Not applicable for size 06)
- Low pressure drop characteristics
- Safety locking ring to avoid accidental disconnection

- Female half has double 'O' ring sealing arrangement
- Bidirectional flow

ACCESSORIES

- Dust caps, plugs and seal kits are available

SPECIFICATIONS

- Operating temperatures (With FKM seals): -20°C (-4°F) to 200°C (392°F)

APPLICATIONS

- Mobile plant
- General industrial
- Forestry equipment
- Marine

FS PERFORMANCE CHARACTERISTICS

Body Size	FS10	FS12	FS19	FS25
	Pressure in bar - Flow in LPM			
	Pressure in PSI - Flow in GPM			
Maximum working pressure (Coupled)	350 5076	315 4569	300 4351	260 3771
Burst pressure (Coupled)	1500 21756	1300 18855	1250 18130	1100 15954
Burst pressure (Male)	1500 21756	1250 18130	1250 18130	1100 15954
Burst pressure (Female)	1450 21030	1200 17405	1200 17405	1000 14504
Rated flow	23 6.1	45 12	106 28	189 50

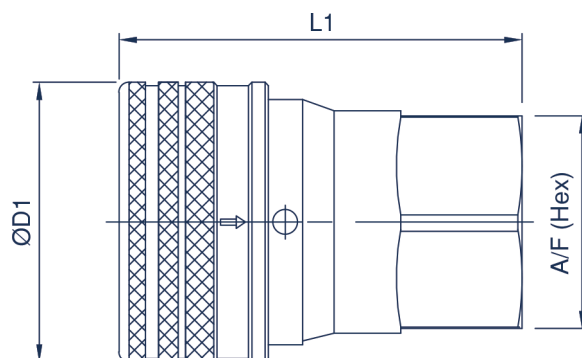
CAPS/PLUGS ACCESSORIES

FEMALE PLUGS	MALE CAPS
F10-F-PLUG	F10-M-CAP
F12-F-PLUG	F12-M-CAP
F19-F-PLUG	F19-M-CAP
F25-F-PLUG	F25-M-CAP

Standard colour is red pvc

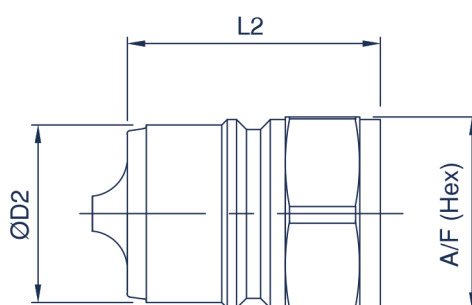
SEAL KITS

FS10-F-SEAL KIT
FS12-F-SEAL KIT
FS19-F-SEAL KIT
FS25-F-SEAL KIT



FS FEMALE COUPLING

Body Size	Part Number	Thread Size	D1		L1		A/F	
			mm	inch	mm	inch	mm	inch
10 (3/8)	FS10-F-06G	3/8 BSPP	34.0	1.38	60.0	2.36	24.0	0.94
	FS10-F-06G-PE	3/8 BSPP	34.0	1.38	60.0	2.36	24.0	0.94
12 (1/2)	FS12-F-08G	1/2 BSPP	40.0	1.75	65.1	2.56	30.0	1.18
	FS12-F-08G-PE	1/2 BSPP	40.0	1.75	65.1	2.56	30.0	1.18
19 (3/4)	FS19-F-12G	3/4 BSPP	52.0	2.13	74.5	2.93	38.0	1.50
	FS19-F-12G-PE	3/4 BSPP	52.0	2.13	74.5	2.93	38.0	1.50
25 (1)	FS25-F-16G	1 BSPP	62.0	2.52	88.5	3.48	45.0	1.77
	FS25-F-16G-PE	1 BSPP	62.0	2.52	88.5	3.48	45.0	1.77



FS MALE COUPLING

Body Size	Part Number	Thread Size	D2		L2		A/F	
			mm	inch	mm	inch	mm	inch
10 (3/8)	FS10-M-06G	3/8 BSPP	20.0	0.79	38.0	1.50	22.0	0.87
	FS10-M-06G-PE	3/8 BSPP	20.0	0.79	38.0	1.50	22.0	0.87
12 (1/2)	FS12-M-08G	1/2 BSPP	25.0	0.98	41.5	1.63	27.0	1.06
	FS12-M-08G-PE	1/2 BSPP	25.0	0.98	41.5	1.63	27.0	1.06
19 (3/4)	FS19-M-12G	3/4 BSPP	33.0	1.30	46.5	1.83	36.0	1.42
	FS19-M-12G-PE	3/4 BSPP	33.0	1.30	46.5	1.83	36.0	1.42
25 (1)	FS25-M-16G	1 BSPP	41.0	1.61	54.5	2.15	46.0	1.81
	FS25-M-16G-PE	1 BSPP	41.0	1.61	54.5	2.15	46.0	1.81

For all other configurations or thread types please contact the sales office.