



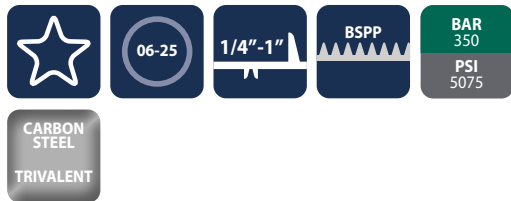
Hose burst valves and cartridges

VPC Series



INTRODUCTION

Holmbury's VPC Series bidirectional hose burst valves allows free flow under normal working conditions. Flow will immediately cease in the event of a catastrophic hose failure. The burst flow can be set by increasing or decreasing the cartridge setting (dimension 'S').



CONSTRUCTION

- Carbon steel with trivalent plating
- Metal to metal sealing

FEATURES

- Can be retrofitted to existing systems
- Male thread designed to be screwed into female threaded port
- Valves need to be manually set to alter the flow at which the valve shuts
- Replacement cartridges are available for the VPC Series
- Bidirectional flow

ACCESSORIES

- Not applicable

SPECIFICATIONS

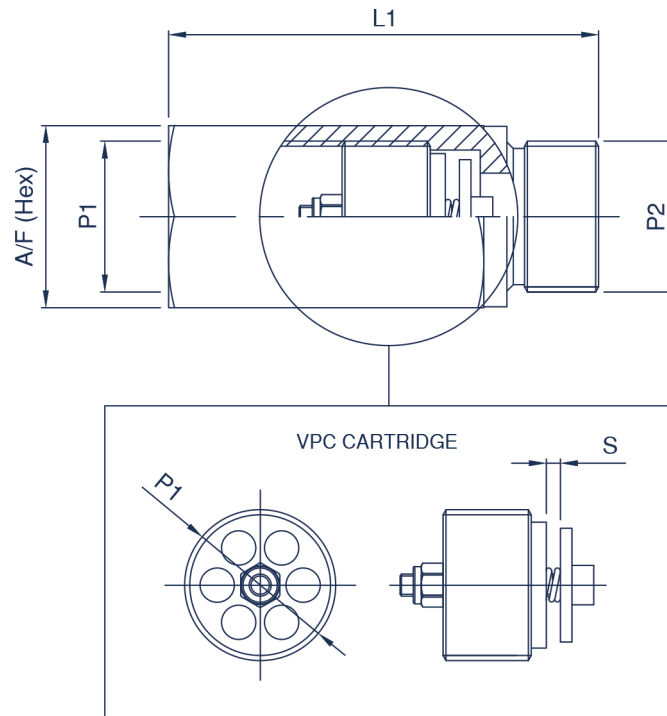
- Not applicable

APPLICATIONS

- Lifting equipment

VPC PERFORMANCE CHARACTERISTICS

Body Size	VPC-06	VPC-10	VPC-12	VPC-19	VPC-25
	Pressure in bar - Flow in LPM Pressure in PSI - Flow in GPM				
Maximum working pressure	350	350	350	350	350
	5075	5075	5075	5075	5075
Rated Flow	18.5	35.5	60	149	190
	4.89	9.38	15.85	39.36	50.19
Maximum flow	30	45	65	170	225
	7.9	11.9	17.2	44.9	59.4



VPC SERIES VALVES

Body Size	Part Number	A/F		P1 thread	L1		P2 thread	S	
		mm	inch		mm	inch		mm	inch
06 (1/4)	VPC06-04G-04G	19.0	0.75	1/4 BSPP	50.0	1.97	1/4 BSPP	1.0	0.04
	VPC06-04G-04GM	19.0	0.75	1/4 BSPP	50.0	1.97	1/4 BSPP Male	1.0	0.04
10 (3/8)	VPC10-06G-06G	22.0	0.87	3/8 BSPP	58.0	2.28	3/8 BSPP	1.5	0.06
	VPC10-06G-06GM	22.0	0.87	3/8 BSPP	60.0	2.36	3/8 BSPP Male	1.5	0.06
12 (1/2)	VPC12-08G-08G	27.0	1.06	1/2 BSPP	60.0	2.36	1/2 BSPP	1.9	0.08
	VPC12-08G-08GM	27.0	1.06	1/2 BSPP	63.0	2.48	1/2 BSPP Male	1.9	0.08
19 (3/4)	VPC19-12G-12G	32.0	1.26	3/4 BSPP	76.0	2.99	3/4 BSPP	2.2	0.09
	VPC19-12G-12GM	32.0	1.26	3/4 BSPP	75.0	2.95	3/4 BSPP Male	2.2	0.09
25 (1)	VPC25-16G-16G	41.0	1.61	1 BSPP	85.0	3.35	1 BSPP	2.6	0.10
	VPC25-16G-16GM	41.0	1.61	1 BSPP	88.0	3.46	1 BSPP Male	2.6	0.10

For all other configurations or thread types please contact the sales office.