



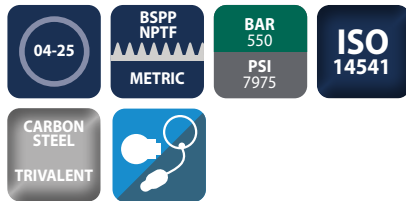
# Screw to connect general purpose poppet couplings made to the ISO 14541 Standard

## HS Series



### INTRODUCTION

Holmbury's HS Series screw to connect couplings are designed primarily for high pressure pulse applications. They can be connected under residual system pressures of up to 50 bar (735psi). The HS Series is a cost effective, proven solution suited to many industries and applications.



### CONSTRUCTION

- Carbon steel with trivalent plating
- Fitted with NBR seals
- Also available in AISI 316 stainless steel (See SHS Series)

### FEATURES

- Screw to connect design eliminates brinelling
- Modular construction enables numerous thread and connection options
- Can be connected with up to 50 bar (735 psi) residual pressure in the hydraulic circuit
- Bidirectional flow

### ACCESSORIES

- Dust caps, plugs and seal kits are available for the HS Series

### SPECIFICATIONS

- Operating temperatures (With NBR seals): -40°C (-40°F) to 106°C (223°F)

### APPLICATIONS

- Hammer circuits
- High pressure pulse applications
- Construction plant
- Mobile equipment
- Demolition

### HS PERFORMANCE CHARACTERISTICS

Body Size	HS04	HS08	HS10	HS12	HS20	HS25
	Pressure in bar - Flow in LPM					
	Pressure in PSI - Flow in GPM					
Maximum working pressure (Coupled)	450 6525	450 6525	400 5800	400 5800	300 4350	300 4350
Burst pressure (Coupled)	1800 26100	1600 23200	1400 20300	1500 21750	1180 17110	1800 26100
Burst pressure (Male)	1400 20300	1550 22475	1200 17400	1200 17400	1100 15950	1200 17400
Burst pressure (Female)	1400 20300	1750 25375	1200 17400	1600 23200	1500 21750	1600 23200
Rated flow	12 3.2	23 6.1	45 12	106 26.4	189 49.9	288 76

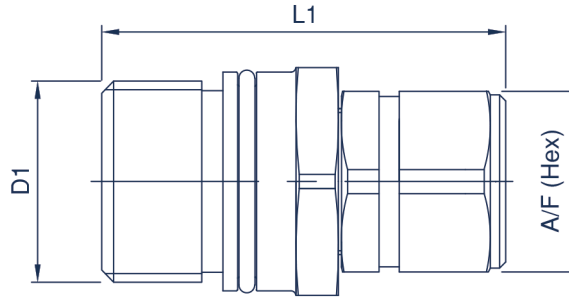
### CAPS/PLUGS ACCESSORIES

FEMALE PLUGS	MALE CAPS
HS04-F-PLUG	HS04-M-CAP
HS08-F-PLUG	HS08-M-CAP
HS10-F-PLUG	HS10-M-CAP
HS12-F-PLUG	HS12-M-CAP
HS20-F-PLUG	HS20-M-CAP
HS25-F-PLUG	HS25-M-CAP

Standard material is natural, anodized aluminium

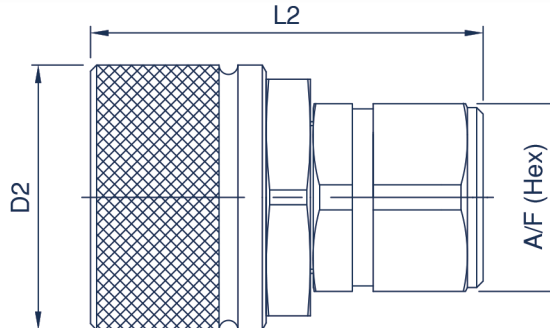
### SEAL KITS

HS04-F-SEAL KIT
HS08-F-SEAL KIT
HS10-F-SEAL KIT
HS12-F-SEAL KIT
HS20-F-SEAL KIT
HS25-F-SEAL KIT



## HS FEMALE COUPLING

ISO Standard	Body Size	Part Number	Thread Size	D1		L1		A/F	
				(Thread)	mm	inch	mm	inch	mm
6.3	04 (1/8)	HS04-F-04G	1/4 BSPP	M24X2	60.0	2.36	19.0	0.75	
		HS04-F-04N	1/4 NPTF	M24X2	60.0	2.36	19.0	0.75	
10	08 (5/16)	HS08-F-04G	1/4 BSPP	M28X2	64.0	2.52	22.0	0.87	
		HS08-F-06G	3/8 BSPP	M28X2	64.0	2.52	22.0	0.87	
		HS08-F-06N	3/8 NPTF	M28X2	64.0	2.52	22.0	0.87	
12.5	10 (3/8)	HS10-F-06G	3/8 BSPP	M36X2	67.0	2.64	30.0	1.18	
		HS10-F-08G	1/2 BSPP	M36X2	67.0	2.64	30.0	1.18	
		HS10-F-08N	1/2 NPTF	M36X2	67.0	2.64	30.0	1.18	
20	12 (1/2)	HS12-F-08G	1/2 BSPP	M42X2	86.0	3.39	36.0	1.42	
		HS12-F-12G	3/4 BSPP	M42X2	86.0	3.39	36.0	1.42	
		HS12-F-12N	3/4 NPTF	M42X2	86.0	3.39	36.0	1.42	
N/A	20 (3/4)	HS20-F-12G	3/4 BSPP	M48X3	98.0	3.86	41.0	1.61	
		HS20-F-16G	1 BSPP	M48X3	98.0	3.86	41.0	1.61	
		HS20-F-16N	1 NPTF	M48X3	98.0	3.86	41.0	1.61	
N/A	25 (1)	HS25-F-20G	1 1/4 BSPP	M70X3	125.0	4.92	55.0	2.17	
		HS25-F-24G	1 1/2 BSPP	M70X3	127.0	5.00	55.0	2.17	



## HS MALE COUPLING

ISO Standard	Body Size	Part Number	Thread Size	D2		L2		A/F	
				mm	inch	mm	inch	mm	inch
6.3	04 (1/8)	HS04-M-04G	1/4 BSPP	35.0	1.38	59.0	2.32	19.0	0.75
		HS04-M-04N	1/4 NPTF	35.0	1.38	59.0	2.32	19.0	0.75
10	08 (5/16)	HS08-M-04G	1/4 BSPP	34.0	1.34	61.0	2.40	22.0	0.87
		HS08-M-06G	3/8 BSPP	34.0	1.34	61.0	2.40	22.0	0.87
		HS08-M-06N	3/8 NPTF	34.0	1.34	61.0	2.40	22.0	0.87
12.5	10 (3/8)	HS10-M-06G	3/8 BSPP	42.1	1.66	64.0	2.52	30.0	1.18
		HS10-M-08G	1/2 BSPP	42.1	1.66	64.0	2.52	30.0	1.18
		HS10-M-08N	1/2 NPTF	42.1	1.66	64.0	2.52	30.0	1.18
20	12 (1/2)	HS12-M-08G	1/2 BSPP	48.5	1.91	75.0	2.95	36.0	1.42
		HS12-M-12G	3/4 BSPP	48.5	1.91	75.0	2.95	36.0	1.42
		HS12-M-12N	3/4 NPTF	48.5	1.91	75.0	2.95	36.0	1.42
N/A	20 (3/4)	HS20-M-12G	3/4 BSPP	55.0	2.17	81.0	3.19	41.0	1.61
		HS20-M-16G	1 BSPP	55.0	2.17	81.0	3.19	41.0	1.61
		HS20-M-16N	1 NPTF	55.0	2.17	81.0	3.19	41.0	1.61
N/A	25 (1)	HS25-M-20G	1 1/4 BSPP	85.0	3.35	131.0	5.16	55.0	2.17
		HS25-M-24G	1 1/2 BSPP	85.0	3.35	134.0	5.28	55.0	2.17

For all other configurations or thread types please contact the sales office.