



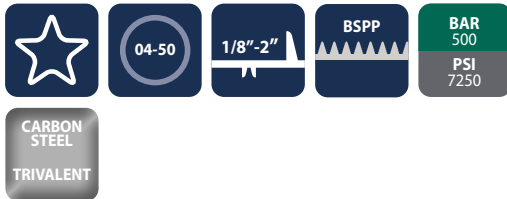
Two-way high-pressure ball valves

BVC2 (Pneumatic Control Hydraulic Ball Valve)



INTRODUCTION

Holmbury's BVC2 Series two-way high-pressure ball valve with pneumatic control. Flow direction can be remotely controlled via pneumatic ports mounted on the unit.

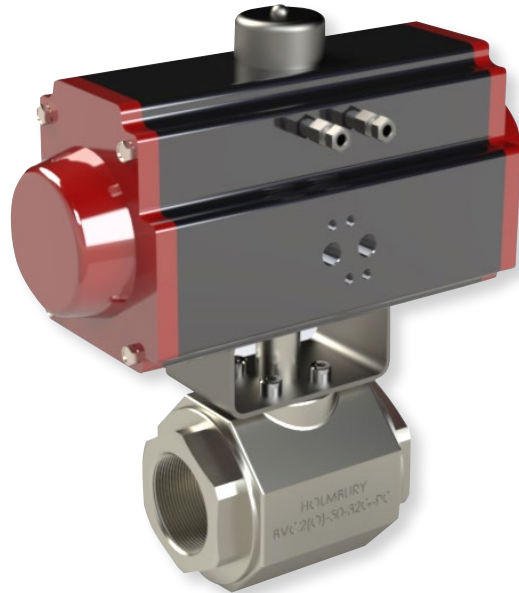


CONSTRUCTION

- Carbon steel body with trivalent plating
- Zinc alloy handle
- Forged steel option available
- Fitted with NBR and POM seals as standard
- Also available in AISI 316 stainless steel (See BVS2 Series)

FEATURES

- Pneumatically controlled flow direction
- Floating ball design maximises sealing
- Full bore valves provide unrestricted flow path for negligible pressure drop
- Open to close in 1/4 turn



SPECIFICATIONS

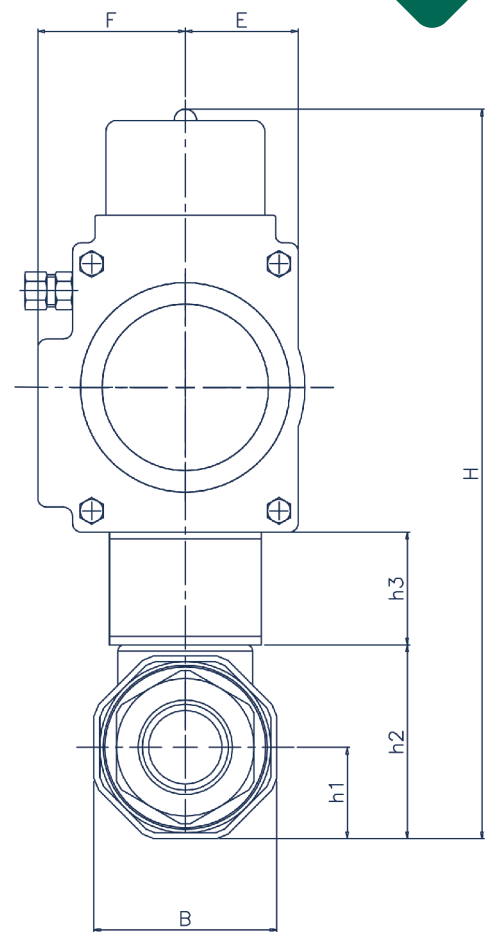
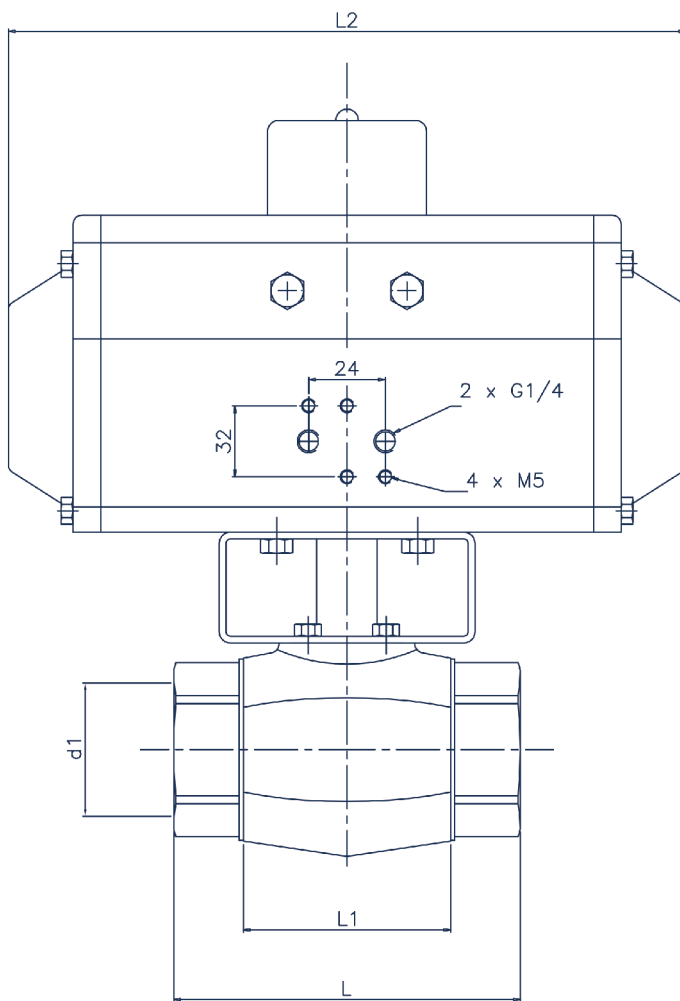
- Operating temperatures (With NBR seals): -40°C (-40°F) to 106°C (223°F)
- BVC2 - Ball Valve - Square Body (DN04-25)
- BVC2(O) - Ball Valve - Octagonal Body (DN32-50)

APPLICATIONS

- Construction
- Mobile Hydraulics
- Test Equipment
- Machine Tools
- General Hydraulics
- Agricultural

BVC2 PERFORMANCE CHARACTERISTICS

Body Size	BVC204	BVC206	BVC210	BVC212	BVC216	BVC219	BVC225	BVC232	BVC240	BVC250
	Pressure in bar - Flow in LPM Pressure in PSI - Flow in GPM									
Maximum working pressure	500 7250	500 7250	500 7250	500 7250	400 5800	315 4568	315 4568	315 4568	315 4568	315 4568
Burst pressure	2000 29000	2000 29000	2000 29000	2000 29000	1600 23200	1260 18270	1260 18270	1260 18270	1260 18270	1260 18270
Rated flow	3 0.8	12 3.2	23 6.1	45 12	74 20	100 26.4	189 50	250 66	379 100	757 200



BVC2 (Pneumatic Control Hydraulic Ball Valve)

Part Number	DN	PN	d1	L	L1	L2	B	H	h1	h2	h3	E	F	Actuator Model
BVC2-04-02G-PC	04	500	1/8 BSPP	69	37	164	28	169.5	13	32	40	25	42	AT052-A
BVC2-06-04G-PC	06	500	1/4 BSPP	69	37	164	28	169.5	13	32	40	25	42	AT052-A
BVC2-10-06G-PC	10	500	3/8 BSPP	72	42	181	32	195	17	40	40	35.5	45.5	AT063-A
BVC2-12-08G-PC	12	500	1/2 BSPP	83	48	181	35	195	17	40	40	35.5	45.5	AT063-A
BVC2-16-08G-PC	16	400	1/2 BSPP	83	47	207	38	222	19	46	50	38.5	52.5	AT075-A
BVC2-19-12G-PC	19	315	3/4 BSPP	95	60	212	48	251.5	24	57	60	46	56.5	AT083-A
BVC2-25-16G-PC	25	315	1 BSPP	113	65	212	57	258.5	28.5	64	60	46	56.5	AT083-A
BVC2-25-20G-PC	25	315	1 1/4 BSPP	120	65	212	60	258.5	28.5	64	60	46	56.5	AT083-A
BVC2-25-24G-PC	25	315	1 1/2 BSPP	130	65	212	60	258.5	28.5	64	60	46	56.5	AT083-A
BVC2(O)-32-20G-PC	32	315	1 1/4 BSPP	110	84	287	82	305.5	41	87.5	60	52	64	AT0105-A
BVC2(O)-40-24G-PC	40	315	1 1/2 BSPP	130	91	287	93	317	46.5	99	60	52	64	AT0105-A
BVC2(O)-50-32G-PC	50	315	2 BSPP	140	100	312.5	110	355	55	115	60	60	73.5	AT0105-A

For all other configurations or thread types please contact the sales office.

