



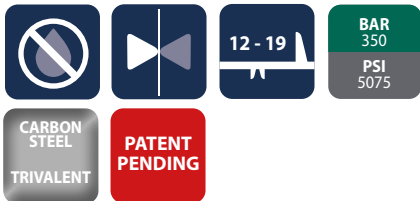
Replacement decompression block cartridges

EZFFC Series



INTRODUCTION

EZFFC series replacement cartridges compatible with Faster 4BD4FI/FH blocks which can be fitted with standard HQ series ISO16028 couplings from your Holmbury distributor.



CONSTRUCTION

- Carbon steel with trivalent plating
- Fitted with NBR seals

FEATURES

- Simple push action for decompression
- Available in 1/2" and 3/4" with M46 or M48 threads

ACCESSORIES

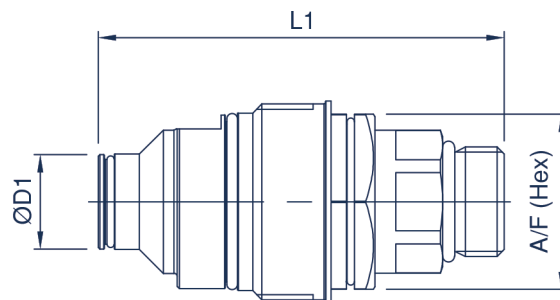
- Not applicable

SPECIFICATIONS

- Operating temperatures (With NBR seals): -40°C (-40°F) to 106°C (223°F)
- Maximum working pressure 350 bar

APPLICATIONS

- Quick changeover of construction equipment attachments
- Skid steer loaders
- Track loaders
- Excavators
- Compact loaders
- Utility vehicles



EZFFC CARTRIDGE

Part Number	Thread Size	D1		L1		A/F		Fits Faster Model
		mm	inch	mm	inch	mm	inch	
EZFFC-M46	M46x1.5	46.0	1.81	88.1	3.47	32.0	1.26	4BD4FI
EZFFC-M48	M48x1.5	49.2	1.94	99.2	3.91	32.0	1.26	4BD4FH

For all other configurations or thread types please contact the sales office.