



Two-way high-pressure ball valves

BVS2 (Flanged PN40)



INTRODUCTION

Holmbury's BVS2 Series two-way high-pressure ball valves are designed to suit a wide range of applications. These valves should not be used as flow control valves and should therefore always be fully open or closed.



CONSTRUCTION

- AISI 316 stainless steel body (Some internal components carbon steel)
- Zinc alloy handle
- Forged steel option available
- Fitted with FKM and POM seals as standard
- Also available in carbon steel (See BVC2 Series)

FEATURES

- Floating ball design maximises sealing
- Full bore valves provide unrestricted flow path for negligible pressure drop
- Open to close in 1/4 turn
- Offset handle allows clearance for easy operation

ACCESSORIES

- Valve locking kits and valve handles are available for the BVS2 Series



SPECIFICATIONS

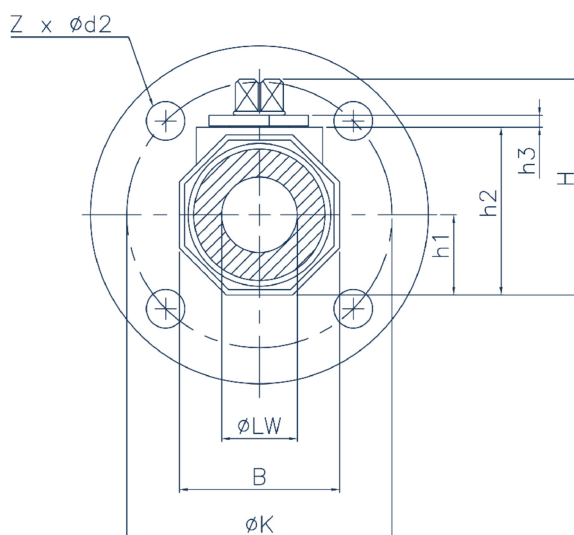
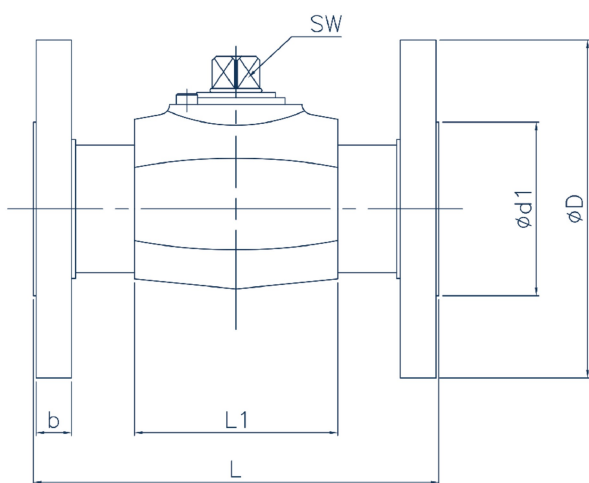
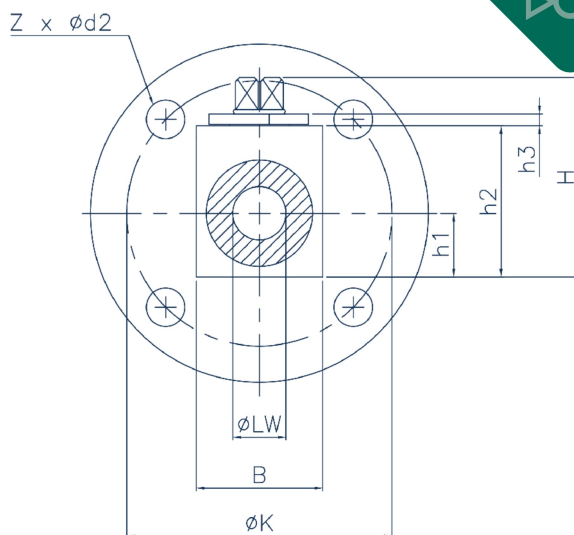
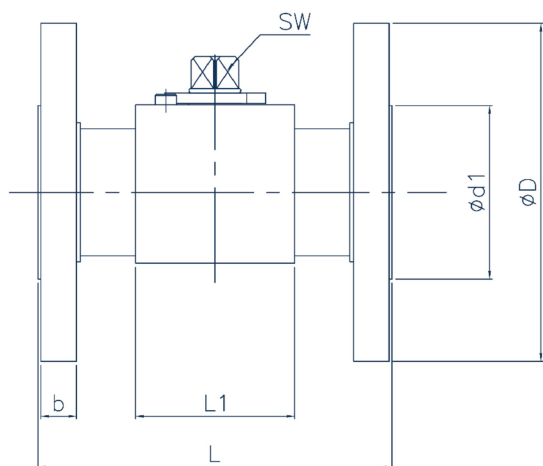
- Operating temperatures (With FKM seals): -20°C (-4°F) to 200°C (392°F)
- BVS2 - Ball Valve - Square Body (DN16-25)
- BVS2(O) - Ball Valve - Octagonal Body (DN32-50)

APPLICATIONS

- Marine
- Offshore
- Pharmaceutical
- Power Generation

BVS2 PERFORMANCE CHARACTERISTICS

Body Size	BVS216	BVS219	BVS225	BVS232	BVS240	BVS250
	Pressure in bar - Flow in LPM Pressure in PSI - Flow in GPM					
Maximum working pressure	40 580	40 580	40 580	40 580	40 580	40 580
Burst pressure	160 2320	160 2320	160 2320	160 2320	160 2320	160 2320
Rated flow	74 20	100 26.4	189 50	250 66	379 100	757 200



BVS2 (Flanged PN40)

Part Number	LW	L	L1	D	d1	d2	Z	K	b	B	H	h1	h2	h3	SW
BVS2-16-PN40	15	130	47	95	45	14	4	65	14	38	63.5	19	46	11	12
BVS2-19-PN40	20	150	60	105	55	14	4	75	16	48	75	24	57	12	14
BVS2-25-PN40	25	160	65	115	65	14	4	85	16	57	82	28.5	64	12	14

BVS2(O) (Flanged PN40)

Part Number	LW	L	L1	D	d1	d2	Z	K	b	B	H	h1	h2	h3	SW
BVS2(O)-32-PN40-F1	30	180	84	138	78	18	4	100	16	75	104.5	37.5	84	14	17
BVS2(O)-40-PN40-F1	38	200	91	148	88	18	4	110	16	85	115.5	42.5	95	14	17
BVS2(O)-50-PN40-F1	48	230	100	165	102	18	4	125	18	105	133	52.5	112.5	14	17
BVS2(O)-32-PN40-F4	30	130	84	138	78	18	4	100	16	75	104.5	37.5	84	14	17
BVS2(O)-40-PN40-F4	38	140	91	148	88	18	4	110	16	85	115.5	42.5	95	14	17

F1 Denotes : DIN-EN558-1, FTF, Basic Range 1, Long Type DIN 3202-F1
 F4 Denotes : DIN-EN558-1, FTF, Basic Range 14, Short Type DIN 3202-F4

