



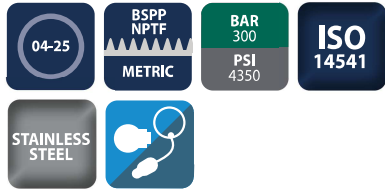
Screw to connect stainless steel general purpose couplings made to the ISO 14541 Standard dimensions

SHS Series



INTRODUCTION

Holmbury's SHS Series stainless steel screw to connect couplings are designed primarily for high pressure pulse applications. They incorporate all the benefits of the carbon steel HS Series, whilst being perfectly suited for corrosive fluids and environments.



CONSTRUCTION

- AISI 316 stainless steel (All components)
- Fitted with FKM seals (Other seals available on request)
- Also available in carbon steel (See HS Series)

FEATURES

- Can be connected with 50 bar (735 psi) residual pressure in the hydraulic circuit
- Bidirectional flow

ACCESSORIES

- Dust caps, plugs and seal kits are available for the SHS Series

SPECIFICATIONS

- Operating temperatures (With FKM seals): -20°C (-4°F) to 200°C (392°F)

APPLICATIONS

- Hydraulic jacks
- Marine
- Offshore/onshore

SHS PERFORMANCE CHARACTERISTICS

Body Size	SHS04	SHS08	SHS10	SHS12	SHS20	SHS25
	Pressure in bar - Flow in LPM					
	Pressure in PSI - Flow in GPM					
Maximum working pressure (Coupled)	300 4350	300 4350	250 3625	250 3625	200 2900	150 2175
Burst pressure (Coupled)	900 13050	900 13050	750 10875	750 10875	650 9425	450 6525
Burst pressure (Male)	950 13775	900 13050	800 11600	800 11600	700 10150	480 6960
Burst pressure (Female)	900 13050	900 13050	750 10875	750 10875	650 9425	450 6525
Rated flow	12 3.2	23 6.1	45 12	106 26.4	189 49.9	288 76

CAPS/PLUGS ACCESSORIES

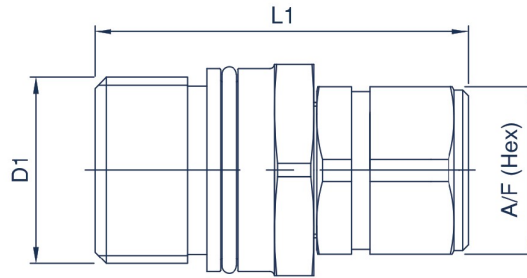
FEMALE PLUGS	MALE CAPS
SHS04-F-PLUG	SHS04-M-CAP
SHS08-F-PLUG	SHS08-M-CAP
SHS10-F-PLUG	SHS10-M-CAP
SHS12-F-PLUG	SHS12-M-CAP
SHS20-F-PLUG	SHS20-M-CAP
SHS25-F-PLUG	SHS25-M-CAP

Standard material is natural, anodized aluminium

SEAL KITS

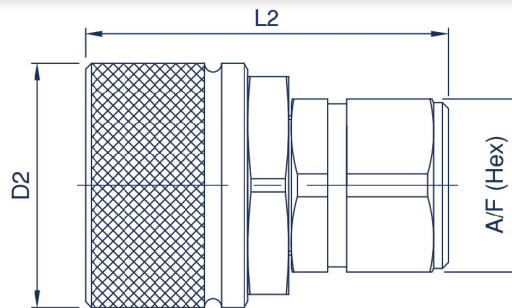
SHS04-F-SEAL KIT
SHS08-F-SEAL KIT
SHS10-F-SEAL KIT
SHS12-F-SEAL KIT
SHS20-F-SEAL KIT
SHS25-F-SEAL KIT

SHS Series



SHS FEMALE COUPLING

ISO Standard	Body Size	Part Number	Thread Size	D1		L1		A/F	
				(Thread)	mm	inch	mm	inch	mm
6.3	04 (1/8)	SHS04-F-04G	1/4 BSPP	M24X2	60.0	2.36	19.0	0.75	
		SHS04-F-04N	1/4 NPTF	M24X2	60.0	2.36	19.0	0.75	
10	08 (5/16)	SHS08-F-04G	1/4 BSPP	M28X2	64.0	2.52	22.0	0.87	
		SHS08-F-06G	3/8 BSPP	M28X2	64.0	2.52	22.0	0.87	
		SHS08-F-06N	3/8 NPTF	M28X2	64.0	2.52	22.0	0.87	
12.5	10 (3/8)	SHS10-F-06G	3/8 BSPP	M36X2	67.0	2.64	30.0	1.18	
		SHS10-F-08G	1/2 BSPP	M36X2	67.0	2.64	30.0	1.18	
		SHS10-F-08N	1/2 NPTF	M36X2	67.0	2.64	30.0	1.18	
20	12 (1/2)	SHS12-F-08G	1/2 BSPP	M42X2	86.0	3.39	36.0	1.42	
		SHS12-F-12G	3/4 BSPP	M42X2	86.0	3.39	36.0	1.42	
		SHS12-F-12N	3/4 NPTF	M42X2	86.0	3.39	36.0	1.42	
N/A	20 (3/4)	SHS20-F-12G	3/4 BSPP	M48X3	98.0	3.86	41.0	1.61	
		SHS20-F-16G	1 BSPP	M48X3	98.0	3.86	41.0	1.61	
		SHS20-F-16N	1 NPTF	M48X3	98.0	3.86	41.0	1.61	
N/A	25 (1)	SHS25-F-20G	1 1/4 BSPP	M70X3	125.0	4.92	55.0	2.17	
		SHS25-F-24G	1 1/2 BSPP	M70X3	127.0	5.00	55.0	2.17	



SHS MALE COUPLING

ISO Standard	Body Size	Part Number	Thread Size	D2		L2		A/F	
				mm	inch	mm	inch	mm	inch
6.3	04 (1/8)	SHS04-M-04G	1/4 BSPP	35.0	1.38	59.0	2.32	19.0	0.75
		SHS04-M-04N	1/4 NPTF	35.0	1.38	59.0	2.32	19.0	0.75
10	08 (5/16)	SHS08-M-04G	1/4 BSPP	34.0	1.34	61.0	2.40	22.0	0.87
		SHS08-M-06G	3/8 BSPP	34.0	1.34	61.0	2.40	22.0	0.87
		SHS08-M-06N	3/8 NPTF	34.0	1.34	61.0	2.40	22.0	0.87
12.5	10 (3/8)	SHS10-M-06G	3/8 BSPP	42.1	1.66	64.0	2.52	30.0	1.18
		SHS10-M-08G	1/2 BSPP	42.1	1.66	64.0	2.52	30.0	1.18
		SHS10-M-08N	1/2 NPTF	42.1	1.66	64.0	2.52	30.0	1.18
20	12 (1/2)	SHS12-M-08G	1/2 BSPP	48.5	1.91	75.0	2.95	36.0	1.42
		SHS12-M-12G	3/4 BSPP	48.5	1.91	75.0	2.95	36.0	1.42
		SHS12-M-12N	3/4 NPTF	48.5	1.91	75.0	2.95	36.0	1.42
N/A	20 (3/4)	SHS20-M-12G	3/4 BSPP	55.0	2.17	81.0	3.19	41.0	1.61
		SHS20-M-16G	1 BSPP	55.0	2.17	81.0	3.19	41.0	1.61
		SHS20-M-16N	1 NPTF	55.0	2.17	81.0	3.19	41.0	1.61
N/A	25 (1)	SHS25-M-20G	1 1/4 BSPP	85.0	3.35	131.0	5.16	55.0	2.17
		SHS25-M-24G	1 1/2 BSPP	85.0	3.35	134.0	5.28	55.0	2.17

For all other configurations or thread types please contact the sales office.