



HDSL Series decompression block

HDSL Series



INTRODUCTION

Holmbury's 3-Line decompression block offers the perfect easy connection solution for skid steer loader, track loader and compact wheel loader machines. Designed as a drop in replacement for the Faster 4BD4FH and 4BD4FI block assembly without any re-plumbing.



CONSTRUCTION

- Block body is anodised aluminium
- Rear ports are carbon steel trivalent plated
- Couplings are carbon steel with zinc nickel plating (1200 hours with no red rust in salt spray tests)
- Supplied with Nitrile and Polyurethane seals with a back up ring in PTFE

FEATURES

- Push activation feature allows simple decompression
- Designed for use with standard 'off the shelf' ISO 16028 couplings
- Coupling arrangement can be ordered in 1/2" (Size 12) 5/8"(Size 16) or 3/4" (Size 19)
- Case drain coupling is standard 3/8" (Size 10)
- Alternative thread terminations available for rear ports

ACCESSORIES

- Not applicable

SPECIFICATIONS

- Operating temperatures (With Nitrile seals): -40°C (-40°F) to 106°C (223°F)
- Maximum working pressure 350 bar

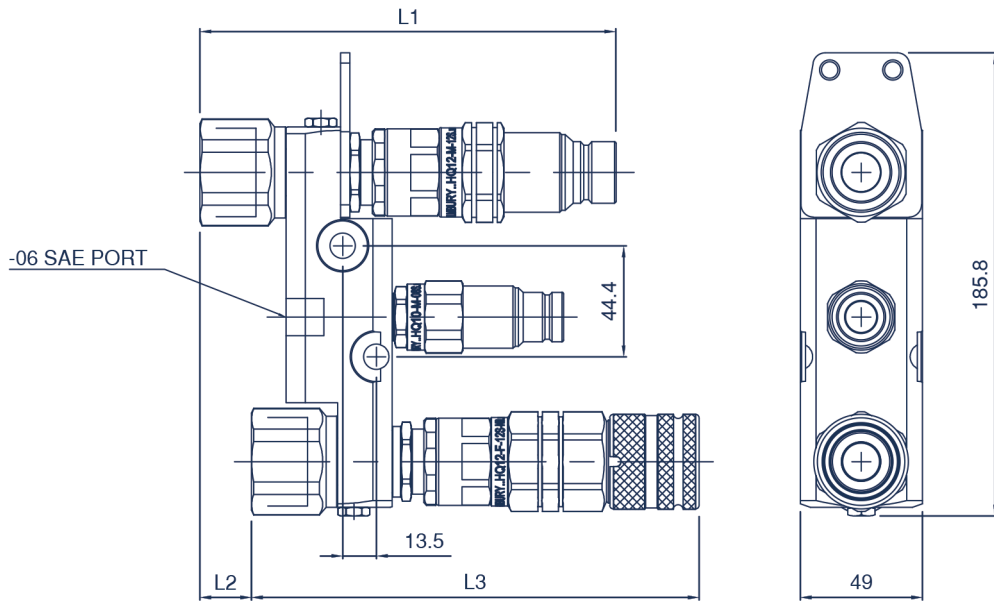
APPLICATIONS

- Quick changeover of construction equipment attachments
- Skid steer loaders
- Track loaders
- Excavators
- Compact loaders
- Utility vehicles

HDSL PERFORMANCE CHARACTERISTICS

Body Size	HDSL12	HDSL16	HDSL19
	Pressure in bar - Flow in LPM		
	Pressure in PSI - Flow in GPM		
Maximum working pressure (Coupled)	350	350	350
	5075	5075	5075
Burst pressure (Coupled)	1400	1500	1450
	20300	21750	21025
Burst pressure (Male)	1300	1200	1100
	18850	17400	15950
Burst pressure (Female)	1000	1050	1050
	14500	15225	15225
Rated flow	45	74	100
	12	19.5	26.4

HDSL Series

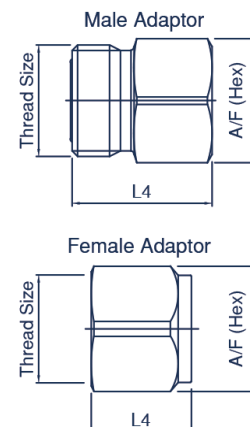


HDSL Series

Body Size	Part Number	Thread Size	L1		L2		L3	
			mm	inch	mm	inch	mm	inch
12 (1/2)	HDSL12-10JM	7/8-14 UNF	177.8	7.00	34.4	1.35	176.8	6.96
	HDSL12-12FSM	1 3/16-12 UN	171.0	6.73	34.4	1.35	170.0	6.69
	HDSL12-12JM	1 1/16-12 UN	175.5	6.91	34.4	1.35	174.9	6.89
	HDSL12-16S	1 5/16-12 UN	167.5	6.59	20.5	0.81	180.2	7.09
16 (5/8)	HDSL16-10JM	7/8-14 UNF	179.8	7.08	34.4	1.35	176.9	6.96
	HDSL16-12FSM	1 3/16-12 UN	173.0	6.81	34.4	1.35	170.1	6.70
	HDSL16-12JM	1 1/16-12 UN	177.5	6.99	34.4	1.35	175.0	6.89
	HDSL16-16S	1 5/16-12 UN	169.5	6.67	20.5	0.81	180.3	7.10
19 (3/4)	HDSL19-10JM	7/8-14 UNF	190.8	7.51	34.4	1.35	192.1	7.56
	HDSL19-12FSM	1 3/16-12 UN	184.0	7.24	34.4	1.35	185.3	7.30
	HDSL19-12JM	1 1/16-12 UN	188.5	7.42	34.4	1.35	190.2	7.49
	HDSL19-16S	1 5/16-12 UN	180.5	7.11	20.5	0.81	195.5	7.70

HDSL Replacement

Replacement Part Number	Thread Size	L4		A/F	
		mm	inch	mm	inch
HDSL-L-10JM	7/8-14 UNF	44.8	1.76	27.0	1.06
HDSL-L-12FSM	1 3/16-12 UN	38.0	1.50	30.0	1.18
HDSL-L-12JM	1 1/16-12 UN	42.5	1.67	27.0	1.06
HDSL-F-10JM	7/8-14 UNF	31.1	1.22	27.0	1.06
HDSL-F-12FSM	1 3/16-12 UN	24.3	0.96	30.0	1.18
HDSL-F-12JM	1 1/16-12 UN	29.2	1.15	27.0	1.06
HDSL-F-16S	1 5/16-12 UN	34.5	1.36	40.0	1.58
HDSL-CARTRIDGE	M19X1	96.2	3.79	31.8	1.25



For all other configurations or thread types please contact the sales office.