



Two-way high-pressure ball valves

BVS2 (Manifold Type)



INTRODUCTION

Holmbury's BVS2 Series two-way manifold type high-pressure ball valves are designed to suit a wide range of applications. These valves should not be used as flow control valves and should therefore always be fully open or closed.



CONSTRUCTION

- AISI 316 stainless steel body (Some internal components carbon steel)
- Zinc alloy handle
- Forged steel option available
- Fitted with FKM and POM seals as standard
- Also available in carbon steel (See BVC2 Series)

FEATURES

- Floating ball design maximises sealing
- Full bore valves provide unrestricted flow path for negligible pressure drop
- Open to close in 1/4 turn
- Offset handle allows clearance for easy operation

ACCESSORIES

- Valve locking kits and valve handles are available for the BVS2 Series

SPECIFICATIONS

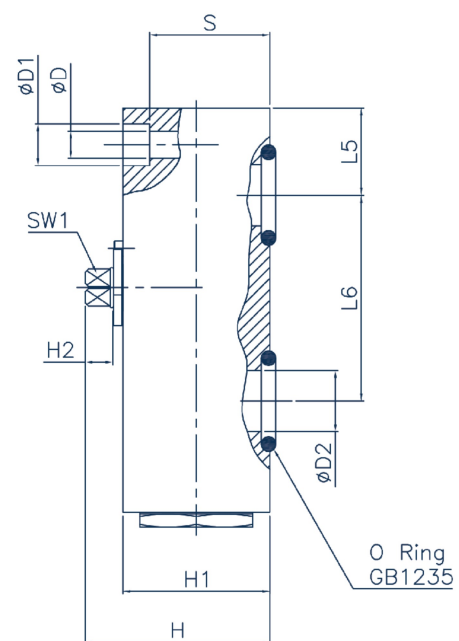
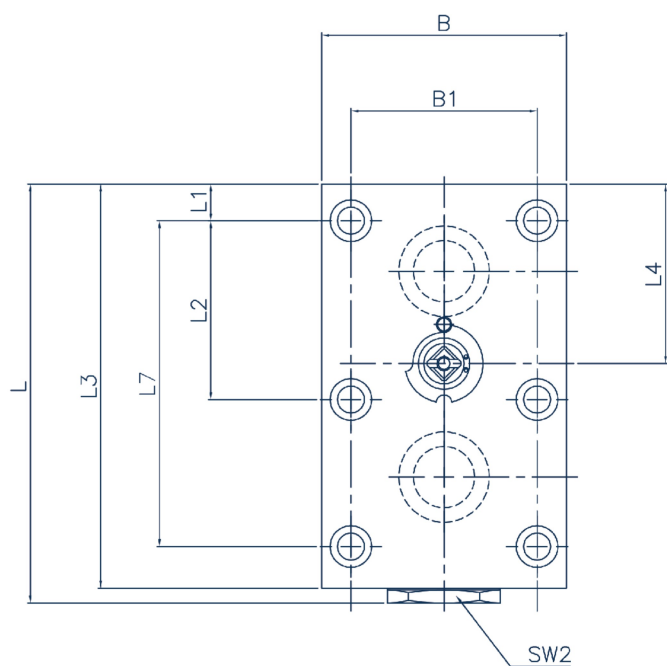
- Operating temperatures (With FKM seals): -20°C (-4°F) to 200°C (392°F)
- BVS2 - Ball Valve - Square Body (DN06-50)

APPLICATIONS

- Marine
- Offshore
- Pharmaceutical
- Power Generation

BVS2 PERFORMANCE CHARACTERISTICS

Body Size	BVS2M06	BVS2M10	BVS2M16	BVS2M19	BVS2M25	BVS2M32	BVS2M40	BVS2M50
	Pressure in bar - Flow in LPM Pressure in PSI - Flow in GPM							
Maximum working pressure	500 7250	315 4568	315 4568	315 4568	315 4568	315 4568	315 4568	315 4568
Burst pressure	2000 29000	1260 18270	1260 18270	1260 18270	1260 18270	1260 18270	1260 18270	1260 18270
Rated flow	12 3.2	23 6.1	74 20	100 26.4	189 50	250 66	379 100	757 200



BVS2 (Manifold Type)

Part Number	DN	L	L1	L2	L3	L4	L5	L6	L7	B	B1	SW1	SW2	H	H1	H2	D	D1	D2	S	Ring GB1235
BVS2M-06	06	64	8.5	N/A	59	25	8.5	35	35	40	27	9	22	39	30	6	6.6	11	6	23	12x1.9
BVS2M-10	10	80	8	27.5	71	29.5	10.5	44	55	56	40	9	30	54.5	42	8	9	13.5	9.5	33	16x2.4
BVS2M-16	16	110	8.5	41.5	100	43.5	17	58	83	62	45	12	36	67.5	50	11	9	13.5	16	41	25x2.4
BVS2M-19	19	127	10	48.5	117	51	20	69	97	70	51	14	41	80	62	12	10.5	16.5	20	51	30x3.1
BVS2M-25	25	145	10	57.5	135	62	24	81	115	80	60	14	50	86	67	12	10.5	16.5	25	56	35x3.1
BVS2M-32	32	177	12	68	165	75	29	96	136	100	78	17	65	110	90	14	13	19	32	77	40x3.1
BVS2M-40	40	192	28.5	56	180	85.5	28.5	112	112	130	95	17	75	120	100	14	17.5	26	38	82	50x3.1
BVS2M-50	50	245	38	58	220	106	38	136	136	149	112	17	75	130	110	14	22	33	48	88	60x3.1

