



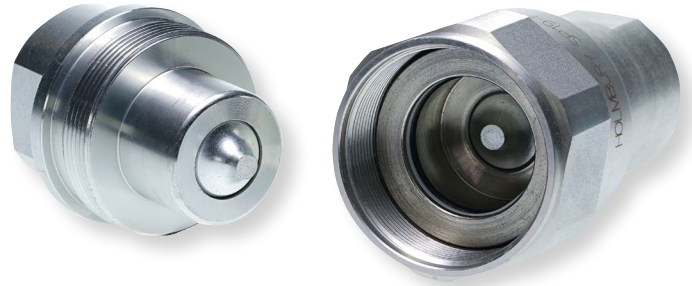
High pressure screw to connect couplings

SP, SPS Series



INTRODUCTION

Holmbury's SP Series screw to connect couplings are designed for heavy duty applications involving very high pressures and severe pressure pulses.



CONSTRUCTION

- Carbon steel with trivalent plating
- Fitted with Nitrile seals
- Also available in AISI 316 (SPS Series) stainless steel

FEATURES

- Screw to connect design eliminates brinelling
- Can be connected with up to 50 bar (735 psi) residual pressure in the hydraulic circuit
- Bidirectional flow

ACCESSORIES

- Dust caps, plugs and seal kits are available for the SP and SPS Series

SPECIFICATIONS

- Operating temperatures (With Nitrile seals): -40°C (-40°F) to 106°C (223°F)

APPLICATIONS

- Hydraulic jacks
- Hydraulic hammers
- Construction plant
- Mobile equipment
- Demolition
- Agricultural industries

SP, SPS PERFORMANCE CHARACTERISTICS

Body Size	SP06 SP10 SP12 SP19 SP25				
	Pressure in bar - Flow in LPM				
	Pressure in PSI - Flow in GPM				
Maximum working pressure (Coupled)	950	750	750	650	450
	13775	10875	10875	9425	6525
Burst pressure (Coupled)	3800	3000	3000	2600	1800
	55100	43500	43500	37700	26100
Burst pressure (Male)	3650	3000	2950	2520	1800
	52925	43500	42775	36540	26100
Burst pressure (Female)	3500	2900	3000	2500	1650
	50750	42050	43500	36250	23925
Rated flow	3	23	45	106	189
	0.8	6.1	12	28	50

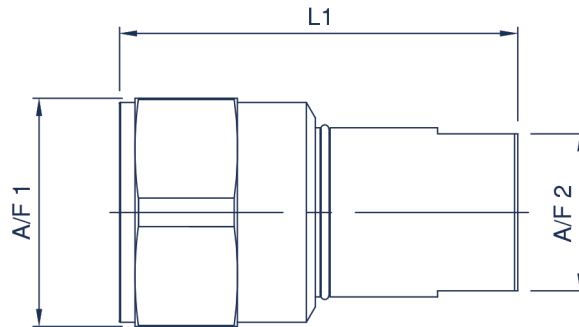
CAPS/PLUGS ACCESSORIES

FEMALE PLUGS	MALE CAPS
SP06-F-PLUG	SP06-M-CAP
SP10-F-PLUG	SP10-M-CAP
SP12-F-PLUG	SP12-M-CAP
SP19-F-PLUG	SP19-M-CAP
SP25-F-PLUG	SP25-M-CAP

Standard material is steel

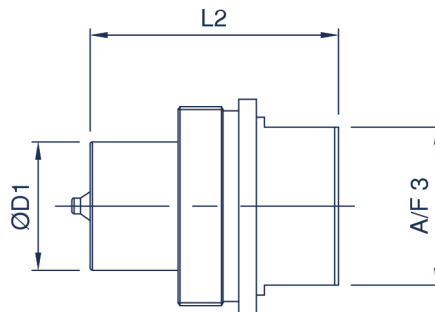
SEAL KITS

SP06-F-SEAL KIT
SP10-F-SEAL KIT
SP12-F-SEAL KIT
SP19-F-SEAL KIT
SP25-F-SEAL KIT



SP, SPS FEMALE COUPLING

Body Size	Part Number	Thread Size	A/F1		L1		A/F2	
			mm	inch	mm	inch	mm	inch
06 (1/4)	SP06-F-04G	1/4 BSPP	32.0	1.26	58.9	2.32	19.0	0.75
	SP06-F-04N	1/4 NPTF	32.0	1.26	58.9	2.32	19.0	0.75
10 (3/8)	SP10-F-06G	3/8 BSPP	36.0	1.42	66.5	2.62	22.0	0.87
	SP10-F-06N	3/8 NPTF	36.0	1.42	66.5	2.62	22.0	0.87
12 (1/2)	SP12-F-08G	1/2 BSPP	41.0	1.61	76.5	3.01	27.0	1.06
	SP12-F-08N	1/2 NPTF	41.0	1.61	76.5	3.01	27.0	1.06
19 (3/4)	SP19-F-12G	3/4 BSPP	50.0	1.97	89.5	3.52	35.0	1.38
	SP19-F-12N	3/4 NPTF	50.0	1.97	89.5	3.52	35.0	1.38
25 (1)	SP25-F-16G	1 BSPP	65.0	2.56	105.5	4.15	41.0	1.61
	SP25-F-16N	1 NPTF	65.0	2.56	105.5	4.15	41.0	1.61



SP, SPS MALE COUPLING

Body Size	Part Number	Thread Size	D1		L2		A/F3	
			mm	inch	mm	inch	mm	inch
06 (1/4)	SP06-M-04G	1/4 BSPP	15.0	0.59	36.0	1.42	19.0	0.75
	SP06-M-04N	1/4 NPTF	15.0	0.59	36.0	1.42	19.0	0.75
10 (3/8)	SP10-M-06G	3/8 BSPP	19.0	0.75	40.5	1.59	22.0	0.87
	SP10-M-06N	3/8 NPTF	19.0	0.75	40.5	1.59	22.0	0.87
12 (1/2)	SP12-M-08G	1/2 BSPP	22.0	0.87	49.0	1.93	27.0	1.06
	SP12-M-08N	1/2 NPTF	22.0	0.87	49.0	1.93	27.0	1.06
19 (3/4)	SP19-M-12G	3/4 BSPP	29.0	1.14	56.0	2.20	35.0	1.38
	SP19-M-12N	3/4 NPTF	29.0	1.14	56.0	2.20	35.0	1.38
25 (1)	SP25-M-16G	1 BSPP	36.0	1.42	66.0	2.60	41.0	1.61
	SP25-M-16N	1 NPTF	36.0	1.42	66.0	2.60	41.0	1.61

For all other configurations or thread types please contact the sales office.