



## Two-way high-pressure ball valves

### BVS2 ISO 6162 (SAE Flanged Port 61/62)



#### INTRODUCTION

Holmbury's BVS2 Series two-way high-pressure ball valves are designed to suit a wide range of applications. These valves should not be used as flow control valves and should therefore always be fully open or closed.



#### CONSTRUCTION

- AISI 316 stainless steel body (Some internal components carbon steel)
- Zinc alloy handle
- Forged steel option available
- Fitted with FKM and POM seals as standard
- Also available in carbon steel (See BVC2 Series)

#### FEATURES

- Floating ball design maximises sealing
- Full bore valves provide unrestricted flow path for negligible pressure drop
- Open to close in 1/4 turn
- Offset handle allows clearance for easy operation

#### ACCESSORIES

- Valve locking kits and valve handles are available for the BVS2 Series

#### SPECIFICATIONS

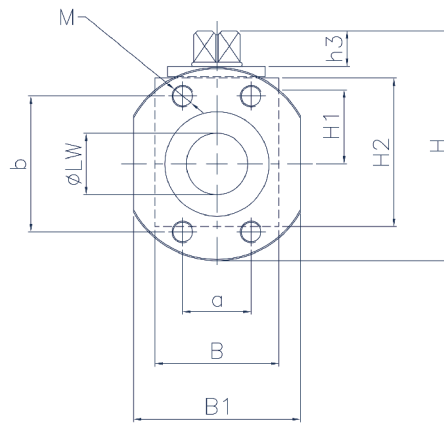
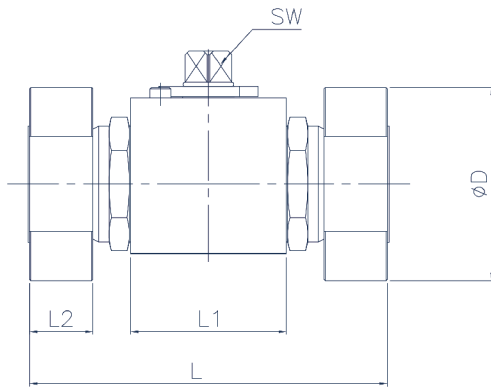
- Operating temperatures (With FKM seals): -20°C (-4°F) to 200°C (392°F)
- BVS2 - Ball Valve - Square Body (DN12-25)
- BVS2(O) - Ball Valve - Octagonal Body (DN32-65)

#### APPLICATIONS

- Marine
- Offshore
- Pharmaceutical
- Power Generation

#### BVS2 PERFORMANCE CHARACTERISTICS

Body Size	BVS212		BVS219		BVS225		BVS232		BVS240		BVS250		BVS265	
	FP1	FP2	FP1	FP2	FP1	FP2	FP1	FP2	FP1	FP2	FP1	FP2	FP1	FP2
	Pressure in bar - Flow in LPM Pressure in PSI - Flow in GPM													
Maximum working pressure	210	420	210	420	210	420	210	420	210	420	210	420	210	420
	3000	6000	3000	6000	3000	6000	3000	6000	3000	6000	3000	6000	3000	6000
Burst pressure	840	1680	840	1680	840	1680	840	1680	840	1680	840	1680	840	1680
	12180	24360	12180	24360	12180	24360	12180	24360	12180	24360	12180	24360	12180	24360
Rated flow	45	45	100	100	189	189	250	250	379	379	757	757	1560	1560
	12	12	26.4	26.4	50	50	66	66	100	100	200	200	416	416

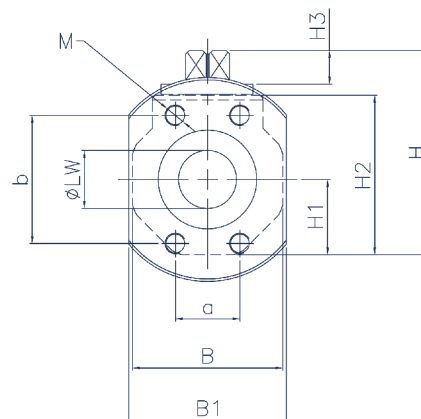
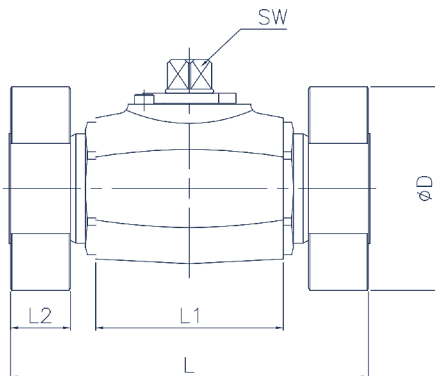


### SAE FLANGED PORT ISO 6162-1

Part Number	PN	LW	L	L1	L2	D	B	B1	H	H1	H2	h3	a	b	M	SW
BVS2-12-FP1	210	12	120	48	16	57	35	46	52.5	17	40	8	17.5	38.1	M8	9
BVS2-19-FP1	210	19	136	60	18	70	48	52	75	24	57	12	22.2	47.6	M10	14
BVS2-25-FP1	210	25	148	65	19	77	57	62	82	28.5	64	12	26.2	52.4	M10	14

### SAE FLANGED PORT ISO 6162-2

Part Number	PN	LW	L	L1	L2	D	B	B1	H	H1	H2	h3	a	b	M	SW
BVS2-12-FP1	420	12	120	48	22	61	35	48	52.5	17	40	8	18.2	40.5	M8	9
BVS2-19-FP1	315	19	136	60	23	76	48	60	75	24	57	12	23.8	50.8	M10	14
BVS2-25-FP1	315	25	148	65	27	86	57	70	82	28.5	64	12	27.8	57.2	M12	14



### SAE FLANGED PORT ISO 6162-1

Part Number	PN	LW	L	L1	L2	D	B	B1	H	H1	H2	h3	a	b	M	SW
BVS2(O)-32-M10-FP1	210	30	172	84	21	87	82	74	108	41	87.5	14	30.2	58.7	M10	17
BVS2(O)-32-M12-FP1	210	30	172	84	21	87	82	74	108	41	87.5	14	30.2	58.7	M12	17
BVS2(O)-40-FP1	210	38	177	91	24	103	93	86	119.5	46.5	99	14	35.7	69.8	M12	17
BVS2(O)-50-FP1	210	48	196	100	25	117	110	98	135.5	55	115	14	42.9	77.8	M12	17
BVS2(O)-50/65-FP1	210	48	196	100	25	128	110	114	135.5	55	115	14	50.8	88.9	M12	17
BVS2(O)-65-FP1	175	60	260	110	25	128	137	114	154	68.5	133.5	14	50.8	88.9	M12	17

### SAE FLANGED PORT ISO 6162-2

Part Number	PN	LW	L	L1	L2	D	B	B1	H	H1	H2	h3	a	b	M	SW
BVS2(O)-32-FP2	350	30	172	84	32	103	82	78	78	41	87.5	14	31.8	66.7	M14	17
BVS2(O)-40-FP2	350	38	177	91	32	120	93	96	96	46.5	99	14	36.5	79.4	M16	17
BVS2(O)-50/65-FP2	350	48	196	100	34	145	110	114	114	55	115	14	44.5	96.8	M20	17
BVS2(O)-65-FP2	315	60	280	110	45	195	145	150	150	72.5	137.5	14	58.7	123.8	M24	17

