



# Stainless steel in-line swivel joint couplings

## SSIL Series



### INTRODUCTION

Holmbury's SSIL Series stainless steel in-line swivel joint couplings are designed for in-line use on hydraulic circuits. Using a rotary coupling in the hydraulic line stops the hose twisting, limiting stress and increasing hose lifespan.



### CONSTRUCTION

- AISI 316 stainless steel
- Fitted with Viton seals
- Also available in carbon steel as rotary coupling (See CRIL Series)

### FEATURES

- Reduces torsional forces
- Can also be used in applications that are required to rotate but not under pressure, such as hose reels
- Spindle is carried on a roller bearing and has a low friction shaft seal that can rotate at maximum pressure with low torque

### ACCESSORIES

- Not applicable

### SPECIFICATIONS

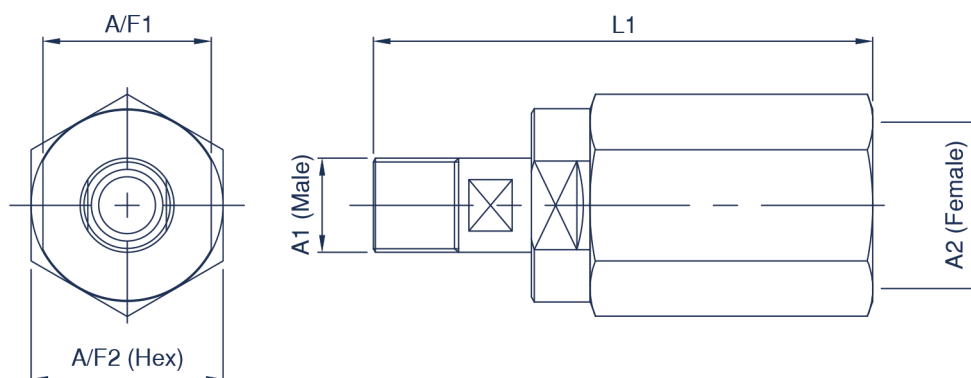
- Operating temperatures (With Viton seals): -20°C (-4°F) to 200°C (392°F)

### APPLICATIONS

- General hydraulic systems
- Machine tools
- Test equipment
- Offshore/onshore
- Mobile hydraulics

### SSIL PERFORMANCE CHARACTERISTICS

| Body Size                      | SSIL-06                       | SSIL-10 | SSIL-12 | SSIL-19 | SSIL-25 | SSIL-32 | SSIL-40 | SSIL-50 |
|--------------------------------|-------------------------------|---------|---------|---------|---------|---------|---------|---------|
|                                | Pressure in bar - Flow in LPM |         |         |         |         |         |         |         |
|                                | Pressure in PSI - Flow in GPM |         |         |         |         |         |         |         |
| Maximum working pressure       | 350                           | 300     | 300     | 250     | 250     | 180     | 150     | 150     |
|                                | 5075                          | 4350    | 4350    | 3625    | 3625    | 2610    | 2175    | 2175    |
| Maximum flow rate              | 25                            | 45      | 80      | 120     | 150     | 200     | 250     | 300     |
|                                | 6.6                           | 11.9    | 21.1    | 31.7    | 39.6    | 52.8    | 66.0    | 79.3    |
| Maximum rotational speed (RPM) | 10                            | 10      | 10      | 10      | 10      | 10      | 10      | 10      |



## SSIL SERIES

| Body Size  | Part Number      | A/F1 |      | A1 x A2 Thread    | L1    |      | A/F2 |      |
|------------|------------------|------|------|-------------------|-------|------|------|------|
|            |                  | mm   | inch |                   | mm    | inch | mm   | inch |
| 06 (1/4)   | SSIL-06-04GM-04G | 24.0 | 0.94 | 1/4 BSPP x BSPP   | 75.0  | 2.95 | 27.0 | 1.06 |
|            | SSIL-06-04NM-04N | 24.0 | 0.94 | 1/4 NPTF x NPTF   | 75.0  | 2.95 | 27.0 | 1.06 |
| 10 (3/8)   | SSIL-10-06GM-06G | 30.0 | 1.18 | 3/8 BSPP x BSPP   | 88.0  | 3.46 | 34.0 | 1.34 |
|            | SSIL-10-06NM-06N | 30.0 | 1.18 | 3/8 NPTF x NPTF   | 88.0  | 3.46 | 34.0 | 1.34 |
| 12 (1/2)   | SSIL-12-08GM-08G | 32.0 | 1.26 | 1/2 BSPP x BSPP   | 101.0 | 3.98 | 36.0 | 1.42 |
|            | SSIL-12-08NM-08N | 32.0 | 1.26 | 1/2 NPTF x NPTF   | 101.0 | 3.98 | 36.0 | 1.42 |
| 19 (3/4)   | SSIL-19-12GM-12G | 40.0 | 1.57 | 3/4 BSPP x BSPP   | 110.0 | 4.33 | 45.0 | 1.77 |
|            | SSIL-19-12NM-12N | 40.0 | 1.57 | 3/4 NPTF x BSPP   | 110.0 | 4.33 | 45.0 | 1.77 |
| 25 (1)     | SSIL-25-16GM-16G | 50.0 | 1.97 | 1 BSPP x BSPP     | 124.0 | 4.88 | 55.0 | 2.17 |
|            | SSIL-25-16NM-16N | 50.0 | 1.97 | 1 NPTF x NPTF     | 124.0 | 4.88 | 55.0 | 2.17 |
| 32 (1 1/4) | SSIL-32-20GM-20G | 55.0 | 2.17 | 1 1/4 BSPP x BSPP | 129.0 | 5.08 | 60.0 | 2.36 |
|            | SSIL-32-20NM-20N | 55.0 | 2.17 | 1 1/4 NPTF x NPTF | 129.0 | 5.08 | 60.0 | 2.36 |
| 40 (1 1/2) | SSIL-40-24GM-24G | 68.0 | 2.68 | 1 1/2 BSPP x BSPP | 138.0 | 5.43 | 75.0 | 2.95 |
|            | SSIL-40-24NM-24N | 68.0 | 2.68 | 1 1/2 NPTF x NPTF | 138.0 | 5.43 | 75.0 | 2.95 |
| 50 (2)     | SSIL-50-32GM-32G | 80.0 | 3.15 | 2 BSPP x BSPP     | 149.0 | 5.87 | 85.0 | 3.35 |
|            | SSIL-50-32NM-32N | 80.0 | 3.15 | 2 NPTF x NPTF     | 149.0 | 5.87 | 85.0 | 3.35 |

For all other configurations or thread types please contact the sales office.