



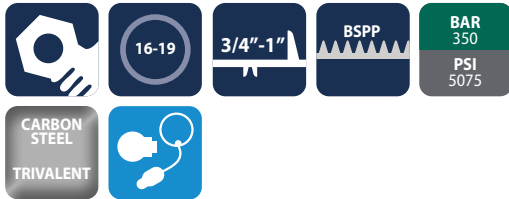
Screw to connect tipper couplings

TC Series



INTRODUCTION

Holmbury's TC Series screw to connect tipper couplings are designed for use on tipper trucks. The female coupling has a wing nut sleeve which enables operators to connect the couplings by hand, even when there is low residual pressure in the line.



CONSTRUCTION

- Carbon steel with trivalent plating
- Fitted with Nitrile seals

FEATURES

- Screw to connect design eliminates brinelling
- Wing nut sleeve design allows connection by hand
- Can be connected with up to 50 bar (735 psi) residual pressure in the hydraulic circuit
- Bidirectional flow
- Male has external thread for bulkhead mounting

ACCESSORIES

- Dust caps and plugs are available for the TC Series

SPECIFICATIONS

- Operating temperatures (With Nitrile seals): -40°C (-40°F) to 106°C (223°F)

APPLICATIONS

- Tipper trucks
- Commercial vehicle trailers, agricultural equipment and construction plant
- Mobile plant

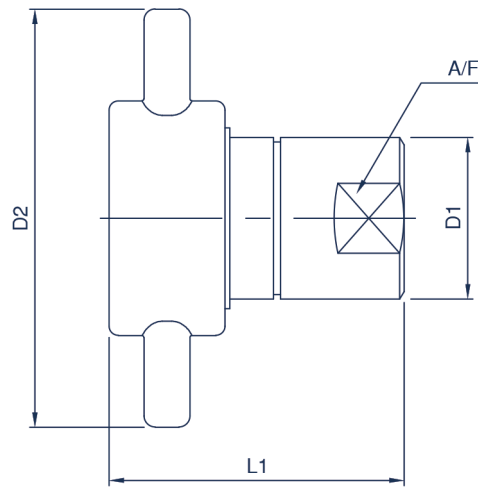
TC PERFORMANCE CHARACTERISTICS

Body Size	TC16	TC19
	Pressure in bar - Flow in LPM	
	Pressure in PSI - Flow in GPM	
Maximum working pressure (Coupled)	350 5075	300 4350
Burst pressure (Coupled)	1,325 19213	1,325 19213
Burst pressure (Male)	1,100 15950	1,200 17400
Burst pressure (Female)	1,300 18850	900 13050
Rated flow	106 28	189 50

CAPS/PLUGS ACCESSORIES

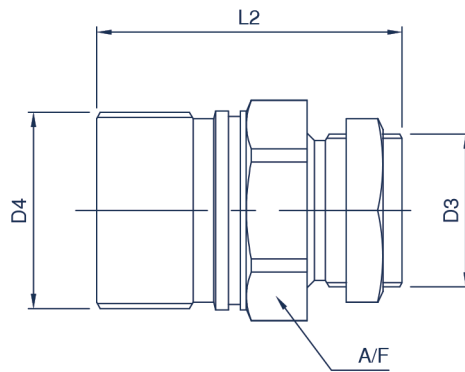
FEMALE PLUGS	MALE CAPS
TC16-F-PLUG	TC16-M-CAP
TC19-F-PLUG	TC19-M-CAP

Standard material is steel



TC FEMALE COUPLING

Body Size	Part Number	Thread Size	D2		L1		D1		A/F	
			mm	inch	mm	inch	mm	inch	mm	inch
19 (3/4)	TC16-F-12G	3/4 BSPP	115.4	4.54	78.0	3.07	37.0	1.46	33.0	1.30
25 (1)	TC19-F-16G	1 BSPP	115.4	4.54	83.0	3.27	44.0	1.73	40.0	1.57



TC MALE COUPLING

Body Size	Part Number	Thread Size	D4	L2		D3		A/F	
			(Thread size)	mm	inch	mm	inch	mm	inch
19 (3/4)	TC16-M-12G	3/4 BSPP	1 3/4 BSPP	78.0	3.07	42.0	1.65	46.0	1.81
25 (1)	TC19-M-16G	1 BSPP	2 1/8 BSPP	83.0	3.27	42.0	1.65	55.0	2.17

For all other configurations or thread types please contact the sales office.