



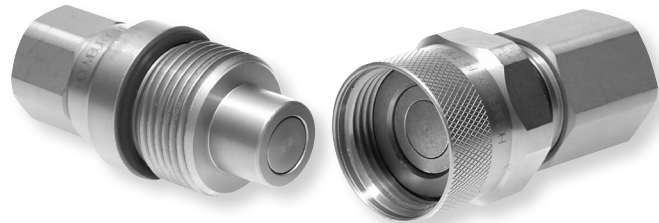
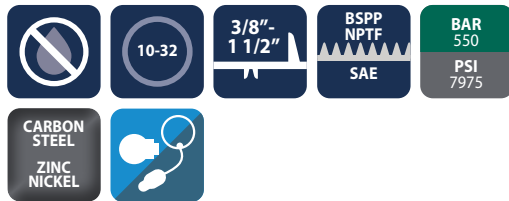
Screw to connect flat face couplings

HFT Series



INTRODUCTION

Holmbury's HFT Series flat faced screw to connect couplings provide a stronger connection and eliminate brinelling. An ideal solution for high pressure pulses and demanding applications.



CONSTRUCTION

- Carbon steel with zinc nickel plating (1200 hours with no red rust in salt spray tests)
- Fitted with Nitrile seals

FEATURES

- Screw to connect design eliminates brinelling
- Flat faces are easily wiped clean
- Allows for minimal inclusion of air and contaminants during connection
- Flat face design prevents fluid loss during disconnection
- Bidirectional flow

ACCESSORIES

- Dust caps, plugs and seal kits are available for the HFT Series

SPECIFICATIONS

- Operating temperatures (With Nitrile seals): -40°C (-40°F) to 106°C (223°F)

APPLICATIONS

- API 16D certification for blow out preventors (BOP) on offshore/onshore applications
- Hydraulic attachments
- Hammer circuits
- High pressure pulse applications
- Leak free environments
- Construction plant, mobile equipment, general industrial, mining and agricultural industries

Contact Holmbury for special requests on thread types/sizes not listed.

HFT PERFORMANCE CHARACTERISTICS

Body Size	HFT10	HFT12	HFT16	HFT19	HFT25	HFT32
	Pressure in bar - Flow in LPM					
	Pressure in PSI - Flow in GPM					
Maximum working pressure (Coupled)	550 7975	550 7975	550 7975	500 7250	470 6815	400 5800
Burst pressure (Coupled)	1400 20300	1400 20300	1400 20300	1400 20300	1300 18850	1100 15950
Burst pressure (Male)	1400 20300	1400 20300	1400 20300	1400 20300	1300 18850	1100 15950
Burst pressure (Female)	1100 15950	1000 14500	1000 14500	1050 15225	1000 14500	800 11600
Rated flow	23 6.1	45 12	74 20	100 26.4	189 50	250 66

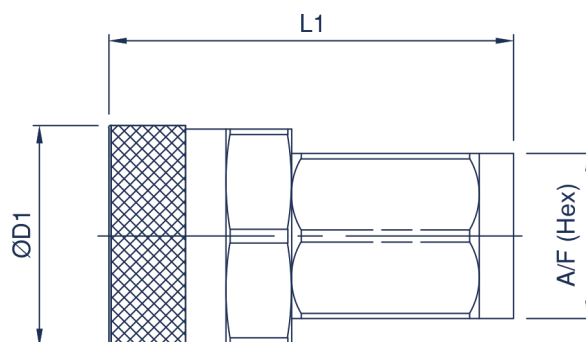
CAPS/PLUGS ACCESSORIES

FEMALE PLUGS	MALE CAPS
HFT10-F-PLUG	HFT10-M-CAP
HFT12-F-PLUG	HFT12-M-CAP
HFT16-F-PLUG	HFT16-M-CAP
HFT19-F-PLUG	HFT19-M-CAP
HFT25-F-PLUG	HFT25-M-CAP
HFT32-F-PLUG	HFT32-M-CAP

Standard material is natural, anodized aluminium

SEAL KITS

HFT10-SEAL KIT
HFT12-SEAL KIT
HFT16-SEAL KIT
HFT19-SEAL KIT
HFT25-SEAL KIT
HFT32-SEAL KIT



HFT FEMALE COUPLING

Body Size	Part Number	Thread Size	D1		L1		A/F	
			mm	inch	mm	inch	mm	inch
10 (3/8)	HFT10-F-06G	3/8 BSPP	38.0	1.50	71.0	2.80	30.0	1.18
	HFT10-F-06G-BOP	3/8 BSPP	38.0	1.50	70.0	2.76	30.0	1.18
	HFT10-F-06N	3/8 NPTF	38.0	1.50	71.0	2.80	30.0	1.18
	HFT10-F-06N-BOP	3/8 NPTF	38.0	1.50	75.0	2.95	30.0	1.18
	HFT10-F-08G	1/2 BSPP	38.0	1.50	71.0	2.80	30.0	1.18
	HFT10-F-08G-BOP	1/2 BSPP	38.0	1.50	75.0	2.95	30.0	1.18
	HFT10-F-08N	1/2 NPTF	38.0	1.50	71.0	2.80	30.0	1.18
	HFT10-F-08N-BOP	1/2 NPTF	38.0	1.50	75.0	2.95	30.0	1.18
	HFT10-F-08S	3/4-16 UNF	38.0	1.50	71.0	2.80	30.0	1.18
	HFT10-F-08S-BOP	3/4-16 UNF	38.0	1.50	75.0	2.95	30.0	1.18
12 (1/2)	HFT12-F-08G	1/2 BSPP	46.0	1.81	78.0	3.07	36.0	1.42
	HFT12-F-08G-BOP	1/2 BSPP	46.0	1.81	85.0	3.35	36.0	1.42
	HFT12-F-08N	1/2 NPTF	46.0	1.81	78.0	3.07	36.0	1.42
	HFT12-F-08N-BOP	1/2 NPTF	46.0	1.81	85.0	3.35	36.0	1.42
	HFT12-F-08S	3/4-16 UNF	46.0	1.81	78.0	3.07	36.0	1.42
	HFT12-F-12G	3/4 BSPP	46.0	1.81	78.0	3.07	36.0	1.42
	HFT12-F-12G-BOP	3/4 BSPP	46.0	1.81	85.0	3.35	36.0	1.42
	HFT12-F-12N	3/4 NPTF	46.0	1.81	78.0	3.07	36.0	1.42
	HFT12-F-12N-BOP	3/4 NPTF	46.0	1.81	85.0	3.35	36.0	1.42
	HFT12-F-12S	1 1/16-12 UN	46.0	1.81	78.0	3.07	36.0	1.42
HFT12-F-12S-BOP	1 1/16-12 UN	46.0	1.81	85.0	3.35	36.0	1.42	
16 (5/8)	HFT16-F-12G	3/4 BSPP	50.0	1.97	85.0	3.35	41.0	1.61
	HFT16-F-12G-BOP	3/4 BSPP	50.0	1.97	85.0	3.35	41.0	1.61
	HFT16-F-12N	3/4 NPTF	50.0	1.97	85.0	3.35	41.0	1.61
	HFT16-F-12N-BOP	3/4 NPTF	50.0	1.97	85.0	3.35	41.0	1.61
	HFT16-F-12S	1 1/16-12 UN	50.0	1.97	85.0	3.35	41.0	1.61
	HFT16-F-12S-BOP	1 1/16-12 UN	50.0	1.97	85.0	3.35	41.0	1.61
19 (3/4)	HFT19-F-12G	3/4 BSPP	55.0	2.17	100.0	3.94	46.0	1.81
	HFT19-F-12G-BOP	3/4 BSPP	55.0	2.17	101.0	3.98	46.0	1.81
	HFT19-F-12N	3/4 NPTF	55.0	2.17	100.0	3.94	46.0	1.81
	HFT19-F-12N-BOP	3/4 NPTF	55.0	2.17	101.0	3.98	46.0	1.81
	HFT19-F-16G	1 BSPP	55.0	2.17	100.0	3.94	46.0	1.81
	HFT19-F-16G-BOP	1 BSPP	55.0	2.17	101.0	3.98	46.0	1.81
	HFT19-F-16N	1 NPTF	55.0	2.17	100.0	3.94	46.0	1.81
	HFT19-F-16N-BOP	1 NPTF	55.0	2.17	101.0	3.98	46.0	1.81
	HFT19-F-16S	1 5/16-12 UN	55.0	2.17	100.0	3.94	46.0	1.81
	HFT19-F-16S-BOP	1 5/16-12 UN	55.0	2.17	101.0	3.98	46.0	1.81
25 (1)	HFT25-F-20G	1 1/4 BSPP	65.0	2.56	111.5	4.39	55.0	2.17
	HFT25-F-20G-BOP	1 1/4 BSPP	65.0	2.56	108.0	4.25	55.0	2.17
	HFT25-F-20N	1 1/4 NPTF	65.0	2.56	111.5	4.39	55.0	2.17
	HFT25-F-20N-BOP	1 1/4 NPTF	65.0	2.56	108.0	4.25	55.0	2.17
	HFT25-F-20S	1 5/8-12 UN	65.0	2.56	111.5	4.39	55.0	2.17
	HFT25-F-20S-BOP	1 5/8-12 UN	65.0	2.56	108.0	4.25	55.0	2.17

For all other configurations or thread types please contact the sales office.

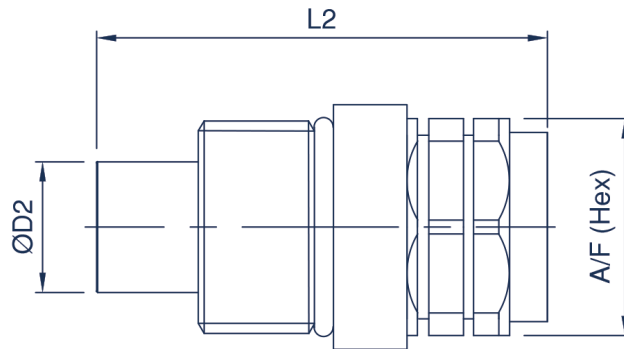
FEMALE Coupling CONTINUED OVERLEAF



Screw to connect flat face couplings

HFT FEMALE COUPLING CONTINUED

Body Size	Part Number	Thread Size	D1		L1		A/F	
			mm	inch	mm	inch	mm	inch
32 (1 1/4)	HFT32-F-24G	1 1/2 BSPP	90.0	3.55	144.0	5.67	65.0	2.56
	HFT32-F-24G-BOP	1 1/2 BSPP	90.0	3.55	133.0	5.24	65.0	2.56
	HFT32-F-24N	1 1/2 NPTF	90.0	3.55	144.0	5.67	65.0	2.56
	HFT32-F-24N-BOP	1 1/2 NPTF	90.0	3.55	133.0	5.24	65.0	2.56
	HFT32-F-24S	1 7/8-12 UN	90.0	3.55	144.0	5.67	65.0	2.56
	HFT32-F-24S-BOP	1 7/8-12 UN	90.0	3.55	133.0	5.24	65.0	2.56



HFT MALE COUPLING

Body Size	Part Number	Thread Size	D2		L2		A/F	
			mm	inch	mm	inch	mm	inch
10 (3/8)	HFT10-M-06G	3/8 BSPP	19.7	0.78	85.0	3.35	27.0	1.06
	HFT10-M-06G-BOP	3/8 BSPP	19.7	0.78	87.0	3.43	28.0	1.10
	HFT10-M-06N	3/8 NPTF	19.7	0.78	85.0	3.35	27.0	1.06
	HFT10-M-06N-BOP	3/8 NPTF	19.7	0.78	90.0	3.54	30.0	1.18
	HFT10-M-08G	1/2 BSPP	19.7	0.78	85.0	3.35	27.0	1.06
	HFT10-M-08G-BOP	1/2 BSPP	19.7	0.78	90.0	3.54	30.0	1.18
	HFT10-M-08N	1/2 NPTF	19.7	0.78	85.0	3.35	27.0	1.06
	HFT10-M-08N-BOP	1/2 NPTF	19.7	0.78	90.0	3.54	30.0	1.18
	HFT10-M-08S	3/4-16 UNF	19.7	0.78	85.0	3.35	27.0	1.06
	HFT10-M-08S-BOP	3/4-16 UNF	19.7	0.78	87.0	3.43	30.0	1.18
12 (1/2)	HFT12-M-08G	1/2 BSPP	24.5	0.97	95.0	3.74	36.0	1.42
	HFT12-M-08G-BOP	1/2 BSPP	24.5	0.97	98.0	3.86	41.0	1.61
	HFT12-M-08N	1/2 NPTF	24.5	0.97	95.0	3.74	36.0	1.42
	HFT12-M-08N-BOP	1/2 NPTF	24.5	0.97	104.0	4.09	41.0	1.61
	HFT12-M-08S	3/4-16 UNF	24.5	0.97	95.0	3.74	36.0	1.42
	HFT12-M-12G	3/4 BSPP	24.5	0.97	95.0	3.74	36.0	1.42
	HFT12-M-12G-BOP	3/4 BSPP	24.5	0.97	104.0	4.09	41.0	1.61
	HFT12-M-12N	3/4 NPTF	24.5	0.97	95.0	3.74	36.0	1.42
	HFT12-M-12N-BOP	3/4 NPTF	24.5	0.97	104.0	4.09	41.0	1.61
	HFT12-M-12S	1 1/16-12 UN	24.5	0.97	95.0	3.74	36.0	1.42
HFT12-M-12S-BOP	1 1/16-12 UN	24.5	0.97	104.0	4.09	41.0	1.61	
16 (5/8)	HFT16-M-12G	3/4 BSPP	27.0	1.06	99.0	3.90	36.0	1.42
	HFT16-M-12G-BOP	3/4 BSPP	27.0	1.06	104.0	4.09	41.0	1.61
	HFT16-M-12N	3/4 NPTF	27.0	1.06	99.0	3.90	36.0	1.42
	HFT16-M-12N-BOP	3/4 NPTF	27.0	1.06	104.0	4.09	41.0	1.61
	HFT16-M-12S	1 1/16-12 UN	27.0	1.06	99.0	3.90	36.0	1.42
	HFT16-M-12S-BOP	1 1/16-12 UN	27.0	1.06	104.0	4.09	41.0	1.61

MALE Coupling CONTINUED OVERLEAF

HFT MALE COUPLING CONTINUED

Body Size	Part Number	Thread Size	D2		L2		A/F	
			mm	inch	mm	inch	mm	inch
19 (3/4)	HFT19-M-12G	3/4 BSPP	29.9	1.18	114.0	4.49	46.0	1.81
	HFT19-M-12G-BOP	3/4 BSPP	29.9	1.18	114.0	4.49	46.0	1.81
	HFT19-M-12N	3/4 NPTF	29.9	1.18	114.0	4.49	46.0	1.81
	HFT19-M-12N-BOP	3/4 NPTF	29.9	1.18	114.0	4.49	46.0	1.81
	HFT19-M-16G	1 BSPP	29.9	1.18	114.0	4.49	46.0	1.81
	HFT19-M-16G-BOP	1 BSPP	29.9	1.18	114.0	4.49	46.0	1.81
	HFT19-M-16N	1 NPTF	29.9	1.18	114.0	4.49	46.0	1.81
	HFT19-M-16N-BOP	1 NPTF	29.9	1.18	114.0	4.49	46.0	1.81
	HFT19-M-16S	1 5/16-12 UN	29.9	1.18	114.0	4.49	46.0	1.81
HFT19-M-16S-BOP	1 5/16-12 UN	29.9	1.18	114.0	4.49	46.0	1.81	
25 (1)	HFT25-M-20G	1 1/4 BSPP	36.0	1.42	123.5	4.86	55.0	2.17
	HFT25-M-20G-BOP	1 1/4 BSPP	36.0	1.42	130.0	5.12	55.0	2.17
	HFT25-M-20N	1 1/4 NPTF	36.0	1.42	123.5	4.86	55.0	2.17
	HFT25-M-20N-BOP	1 1/4 NPTF	36.0	1.42	130.0	5.12	55.0	2.17
	HFT25-M-20S	1 5/8-12 UN	36.0	1.42	123.5	4.86	55.0	2.17
	HFT25-M-20S-BOP	1 5/8-12 UN	36.0	1.42	130.0	5.12	55.0	2.17
32 (1 1/4)	HFT32-M-24G	1 1/2 BSPP	57.0	2.24	150.0	5.91	65.0	2.56
	HFT32-M-24G-BOP	1 1/2 BSPP	57.0	2.24	169.0	6.65	65.0	2.56
	HFT32-M-24N	1 1/2 NPTF	57.0	2.24	150.0	5.91	65.0	2.56
	HFT32-M-24N-BOP	1 1/2 NPTF	57.0	2.24	169.0	6.65	65.0	2.56
	HFT32-M-24S	1 7/8-12 UN	57.0	2.24	150.0	5.91	65.0	2.56
	HFT32-M-24S-BOP	1 7/8-12 UN	57.0	2.24	169.0	6.65	65.0	2.56

For all other configurations or thread types please contact the sales office.

