



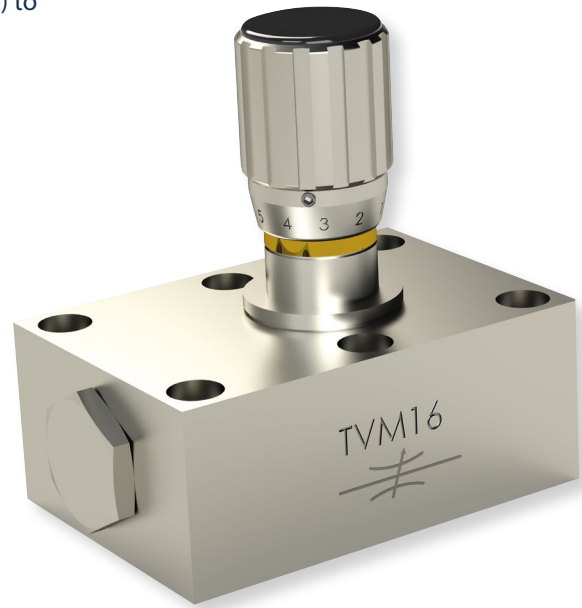
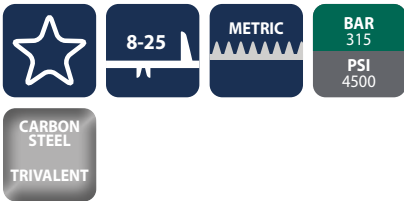
Adjustable flow control throttle valves

TVM Series



INTRODUCTION

Holmbury's TV Throttle valves (manifold type) are designed to control the flow rate in a system. Adjusting the rotary handle (lockable) to open or restrict the thru bore accurately controls the flow.



CONSTRUCTION

- Carbon steel body with trivalent plating
- Fitted with NBR seals as standard

FEATURES

- Flow Control
- Adjustable lockable handle
- TVM - Bi-directional flow
- TVM-CV - One way flow (Non-return)

SPECIFICATIONS

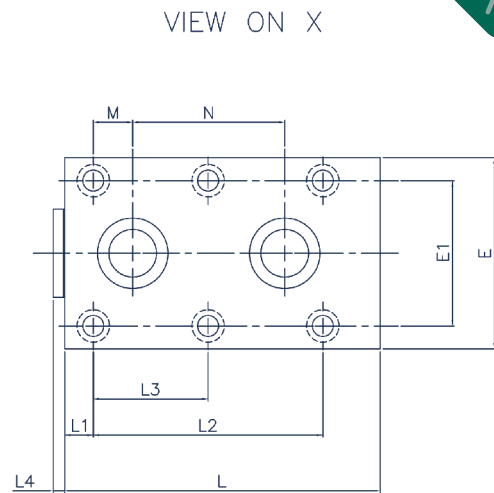
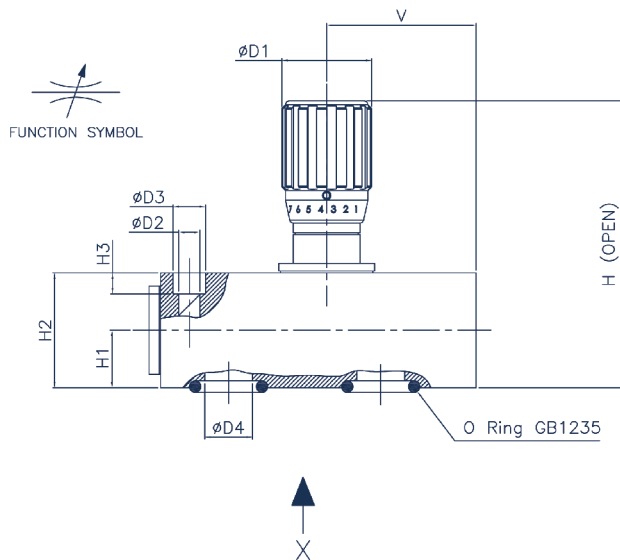
- Operating temperature : -20°C (-4°F) to 70°C (158°F)

APPLICATIONS

- Construction
- Mobile Hydraulics
- Test Equipment
- Machine Tools
- General Hydraulics
- Agricultural

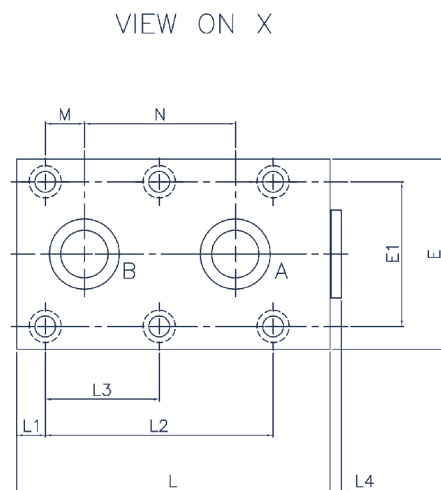
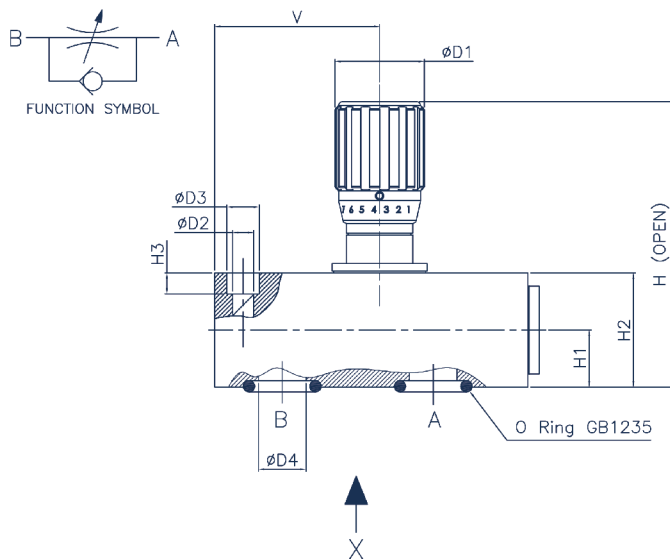
TVM PERFORMANCE CHARACTERISTICS

| Body Size | TVM08 | TVM10 | TVM12 | TVM16 | TVM19 | TVM25 |
|--------------------------|--|---------------|---------------|---------------|---------------|---------------|
| | Pressure in bar - Flow in LPM Pressure in PSI - Flow in GPM | | | | | |
| Maximum working pressure | 315 4568 | 315 4568 | 315 4568 | 315 4568 | 315 4568 | 315 4568 |
| Burst pressure | 1260 18270 | 1260 18270 | 1260 18270 | 1260 18270 | 1260 18270 | 1260 18270 |
| Rated flow | 40 10.5 | 60 15.8 | 85 22.4 | 185 48.8 | 200 52.8 | 300 79.2 |



MANIFOLD TYPE THROTTLE VALVE

| Part Number | H | H1 | H2 | H3 | D1 | D2 | D3 | D4 | E | E1 | L | L1 | L2 | L3 | L4 | M | N | V | O Ring |
|-------------|-----|------|----|----|----|-----|------|----|-----|------|------|------|------|------|-----|------|------|------|--------|
| TVM08 | 85 | 11 | 24 | 7 | 30 | 6.5 | 10.5 | 8 | 46 | 33.5 | 48.5 | 6.8 | 35 | N/A | 4.5 | 4.5 | 24.5 | 24.5 | 16x2.4 |
| TVM10 | 88 | 14 | 28 | 7 | 30 | 6.5 | 10.5 | 10 | 51 | 38 | 51 | 8.5 | 33.5 | N/A | 4.5 | 4 | 25.5 | 25.5 | 18x2.4 |
| TVM12 | 105 | 16 | 35 | 7 | 38 | 6.5 | 10.5 | 12 | 58 | 44.5 | 75 | 18.5 | 38 | N/A | 4.5 | 4 | 30 | 37.5 | 20x2.4 |
| TVM16 | 123 | 22.5 | 45 | 9 | 38 | 9 | 14 | 16 | 70 | 54 | 93 | 8.5 | 76 | 38 | 4.5 | 11.4 | 54 | 41 | 25x2.4 |
| TVM19 | 151 | 25 | 50 | 9 | 47 | 9 | 14 | 20 | 77 | 60 | 112 | 8.5 | 95 | 47.5 | 5.5 | 19 | 57 | 41 | 30x3.1 |
| TVM25 | 161 | 30 | 60 | 11 | 47 | 11 | 17 | 25 | 100 | 76 | 144 | 12 | 120 | 60 | 6 | 19.9 | 79.5 | 61 | 35x3.1 |



MANIFOLD TYPE NON-RETURN THROTTLE VALVE

| Part Number | H | H1 | H2 | H3 | D1 | D2 | D3 | D4 | E | E1 | L | L1 | L2 | L3 | L4 | M | N | V | O Ring |
|-------------|-----|------|----|----|----|-----|------|----|-----|------|-----|----|------|------|-----|------|------|------|--------|
| TVM08-CV | 85 | 11 | 24 | 7 | 30 | 6.5 | 10.5 | 8 | 46 | 33.5 | 63 | 14 | 35 | N/A | 4.5 | 4.5 | 25.5 | 30.5 | 16x2.4 |
| TVM10-CV | 88 | 14 | 28 | 7 | 30 | 6.5 | 10.5 | 10 | 51 | 38 | 70 | 18 | 33.5 | N/A | 4.5 | 4 | 25.5 | 31 | 18x2.4 |
| TVM12-CV | 105 | 16 | 35 | 7 | 38 | 6.5 | 10.5 | 12 | 58 | 44.5 | 80 | 24 | 38 | N/A | 4.5 | 4 | 30 | 36 | 20x2.4 |
| TVM16-CV | 123 | 22.5 | 45 | 9 | 38 | 9 | 14 | 16 | 70 | 54 | 104 | 14 | 76 | 38 | 6.5 | 11.4 | 54 | 49 | 25x2.4 |
| TVM19-CV | 151 | 25 | 50 | 9 | 47 | 9 | 14 | 20 | 77 | 60 | 127 | 16 | 95 | 47.5 | 6 | 19 | 57 | 49 | 30x3.1 |
| TVM25-CV | 161 | 30 | 60 | 11 | 47 | 11 | 17 | 25 | 100 | 76 | 165 | 15 | 120 | 60 | 6 | 20.6 | 79.5 | 77 | 35x3.1 |

