



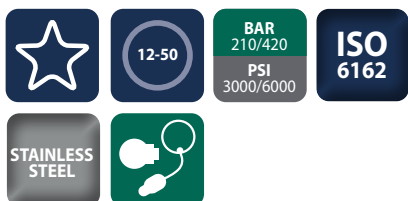
Two-way high-pressure ball valves

BVS2 (Integrated SAE Flanged Port - Flange Head 61/62)



INTRODUCTION

Holmbury's BVS2 Series two-way high-pressure ball valves are designed to suit a wide range of applications. These valves should not be used as flow control valves and should therefore always be fully open or closed.



CONSTRUCTION

- AISI 316 stainless steel body (Some internal components carbon steel)
- Zinc alloy handle
- Forged steel option available
- Fitted with FKM and POM seals as standard
- Also available in carbon steel (See BVC2 Series)

FEATURES

- Floating ball design maximises sealing
- Full bore valves provide unrestricted flow path for negligible pressure drop
- Open to close in 1/4 turn
- Offset handle allows clearance for easy operation
- Rotating flange

ACCESSORIES

- Valve locking kits and valve handles are available for the BVS2 Series



SPECIFICATIONS

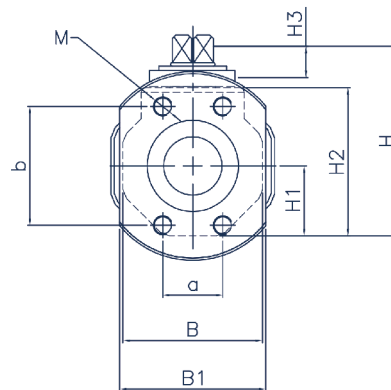
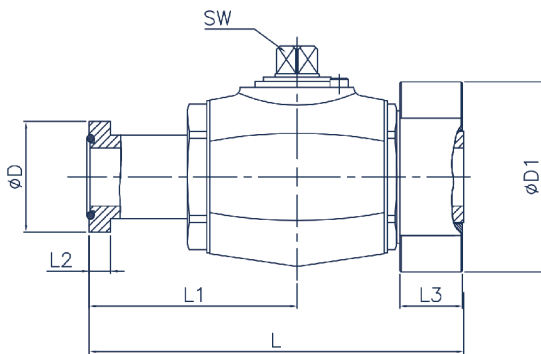
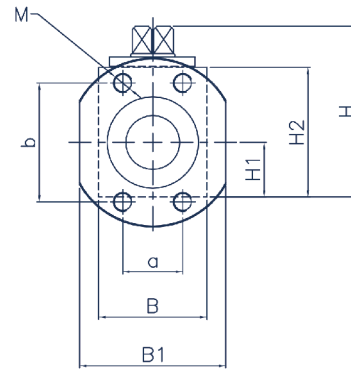
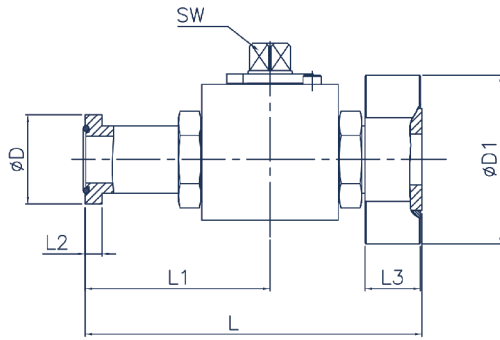
- Operating temperatures (With FKM seals): -20°C (-4°F) to 200°C (392°F)
- BVS2 - Ball Valve - Square Body (DN12-25)
- BVS2(O) - Ball Valve - Octagonal Body (DN32-50)

SPECIFICATIONS

- Marine
- Offshore
- Pharmaceutical
- Power Generation

BVS2 PERFORMANCE CHARACTERISTICS

Body Size	BVS212		BVS219		BVS225		BVS232		BVS240		BVS250	
	FP1-FH1	FP2-FH2	FP1-FH1	FP2-FH2	FP1-FH1	FP2-FH2	FP1-FH1	FP2-FH2	FP1-FH1	FP2-FH2	FP1-FH1	FP2-FH2
	Pressure in bar - Flow in LPM Pressure in PSI - Flow in GPM											
Maximum working pressure	210	420	210	420	210	420	210	420	210	420	210	420
	3000	6000	3000	6000	3000	6000	3000	6000	3000	6000	3000	6000
Burst pressure	840	1680	840	1680	840	1680	840	1680	840	1680	840	1680
	12180	24360	12180	24360	12180	24360	12180	24360	12180	24360	12180	24360
Rated flow	45	45	100	100	189	189	250	250	379	379	757	757
	12	12	26.4	26.4	50	50	66	66	100	100	200	200



BVS2 (SAE Integrated Flanged - Flange Head)

Part Number	DN	PN	L	L1	L2	L3	D	D1	a	b	M	B	B1	H	H1	H2	SW
BVS2-12-FP1-FH1	12	210	135.5	75.5	6.8	16	30.2	57	17.5	38.1	M8	35	46	52.5	17	40	9
BVS2-19-FP1-FH1	19	210	149	81	6.8	18	38.1	70	22.2	47.6	M10	48	52	75	14	57	14
BVS2-25-FP1-FH1	25	210	163	89	8.1	19	44.4	77	26.2	52.4	M10	57	62	82	28.5	64	14

BVS2 (SAE Integrated Flanged - Flange Head)

Part Number	DN	PN	L	L1	L2	L3	D	D1	a	b	M	B	B1	H	H1	H2	SW
BVS2-12-FP2-FH2	12	420	135.5	75.5	7.9	22	31.8	61	18.2	40.5	M8	35	48	52.5	17	40	9
BVS2-19-FP2-FH2	19	315	155	87	8.9	23	41.3	76	23.8	50.8	M10	48	60	75	24	57	14
BVS2-25-FP2-FH2	25	315	173	99	9.6	27	47.6	86	27.8	57.2	M12	57	70	82	28.5	64	14

BVS2 (SAE Integrated Flanged - Flange Head)

Part Number	DN	PN	L	L1	L2	L3	D	D1	a	b	M	B	B1	H	H1	H2	SW
BVS2(O)-32-M10-FP1-FH1	32	210	181.5	95.5	8.1	21	50.8	87	30.2	58.7	M10	82	74	108	41	87.5	17
BVS2(O)-32-M12-FP1-FH1	32	210	181.5	95.5	8.1	21	50.8	87	30.2	58.7	M12	82	74	108	41	87.5	17
BVS2(O)-40-FP1-FH1	40	210	204	115.5	8.1	24	60.3	103	35.7	69.8	M12	93	86	119.5	46.5	99	17
BVS2(O)-50-FP1-FH1	50	210	214	116	9.6	25	71.4	117	42.9	77.8	M12	110	98	135.5	55	115	17

BVS2 (SAE Integrated Flanged - Flange Head)

Part Number	DN	PN	L	L1	L2	L3	D	D1	a	b	M	B	B1	H	H1	H2	SW
BVS2(O)-32-FP2-FH2	32	350	197.5	111.5	10.4	32	54	103	31.8	66.7	M14	82	78	108	41	87.5	17
BVS2(O)-40-FP2-FH2	40	350	229	140.5	12.7	32	63.5	120	36.5	79.4	M16	93	96	119.5	46.5	99	17
BVS2(O)-50-FP2-FH2	50	350	256	158	12.7	34	79.4	145	44.5	96.8	M20	110	114	135.5	55	115	17

