



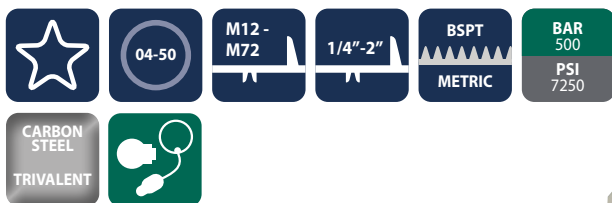
## Two-way high-pressure ball valves

### BVC2 Series (Metric Threads/ISO 7-1)



#### INTRODUCTION

Holmbury's BVC2 Series two-way high-pressure ball valves are designed to suit a wide range of applications. These valves should not be used as flow control valves and should therefore always be fully open or closed.



#### CONSTRUCTION

- Carbon steel body with trivalent plating
- Zinc alloy handle
- Forged steel option available
- Fitted with NBR and POM seals as standard
- Also available in AISI 316 stainless steel (See BVS2 Series)

#### FEATURES

- Floating ball design maximises sealing
- Full bore valves provide unrestricted flow path for negligible pressure drop
- Open to close in 1/4 turn
- Offset handle allows clearance for easy operation

#### ACCESSORIES

- Valve locking kits and valve handles are available for the BVC2 Series

#### SPECIFICATIONS

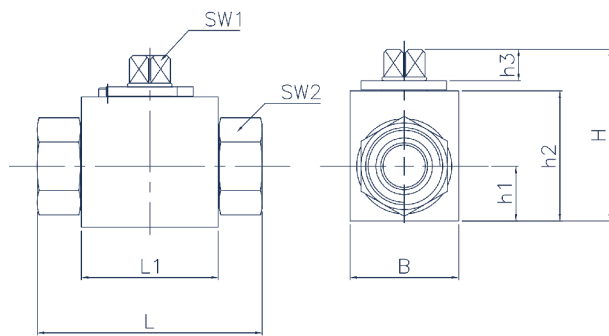
- Operating temperatures (With NBR seals): -40°C (-40°F) to 106°C (223°F)
- BVC2 - Ball Valve - Square Body (DN04-25)
- BVC2(O) - Ball Valve - Octagonal Body (DN32-50)

#### APPLICATIONS

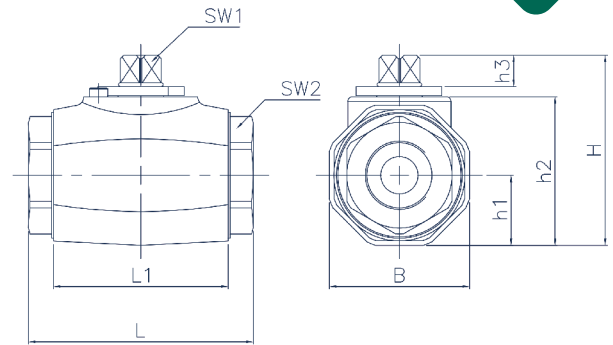
- Construction
- Mobile Hydraulics
- Test Equipment
- Machine Tools
- General Hydraulics
- Agricultural

#### BVC2 PERFORMANCE CHARACTERISTICS

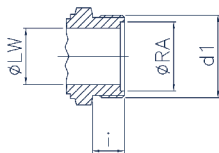
Body Size	BVC204	BVC206	BVC08	BVC210	BVC212	BVC216	BVC219	BVC225	BVC232	BVC240	BVC250
	Pressure in bar - Flow in LPM Pressure in PSI - Flow in GPM										
Maximum working pressure	500	500	500	500	500	400	315	315	315	315	315
	7250	7250	7250	7250	7250	5800	4568	4568	4568	4568	4568
Burst pressure	2000	2000	2000	2000	2000	1600	1260	1260	1260	1260	1260
	29000	29000	29000	29000	29000	23200	18270	18270	18270	18270	18270
Rated flow	3	12	18	23	45	74	100	189	250	379	757
	0.8	3.2	4.75	6.1	12	20	26.4	50	66	100	200



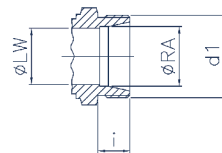
**SQUARE BODY (DN04-25)**



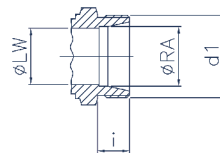
**OCTAGONAL BODY (DN32-50)**



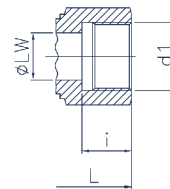
JB984-77



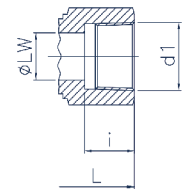
DIN2353  
Light Series



DIN2353  
Heavy Series



Metric  
Female Thread



ISO 7-1  
Female

**JB984-77 MALE FACE SEAL**

Part Number	DN	PN	LW	RA	d1	i	L	L1	B	H	h1	h2	h3	SW1	SW2
BVC2-04-M12X1.25	04	500	4	8	M12X1.25	9	61	37	28	44.5	13	32	8	9	22
BVC2-06-M16X1.5	06	500	6	11	M16X1.5	11	69	37	28	44.5	13	32	8	9	22
BVC2-08-M22X1.5	08	500	8	16	M22X1.5	12	76	42	32	52.5	17	40	8	9	27
BVC2-10-M27X1.5	10	500	10	20	M27X1.5	12	76	42	32	52.5	17	40	8	9	30
BVC2-16-M30X1.5	16	400	15	24	M30X1.5	13	84	47	38	63.5	19	46	11	12	32
BVC2-19-M36X2	19	315	20	30	M36X2	15	103	60	48	75	24	57	12	14	41
BVC2-25-M42X2	25	315	25	35	M42X2	18	116	65	57	82	28.5	64	12	14	50
BVC2(O)-32-M52X2	32	315	30	40	M52X2	20	149	84	82	108	41	87.5	14	17	60
BVC2(O)-40-M60X2	40	315	38	50	M60X2	22	174	91	93	119.5	46.5	99	14	17	70
BVC2(O)-50-M72X2	50	315	48	60	M72X2	24	178	100	110	135.5	55	115	14	17	80

**DIN 2353 LIGHT SERIES**

Part Number	DN	PN	LW	RA	d1	i	L	L1	B	H	h1	h2	h3	SW1	SW2
BVC2-04-M12X1.5-06L	04	500	4	6	M12X1.5	10	67	37	28	44.5	13	32	8	9	22
BVC2-06-M14X1.5-08L	06	500	6	8	M14X1.5	10	67	37	28	44.5	13	32	8	9	22
BVC2-08-M16X1.5-10L	08	500	8	10	M16X1.5	11	74	42	32	52.5	17	40	8	9	27
BVC2-10-M18X1.5-12L	10	500	10	12	M18X1.5	11	74	42	32	52.5	17	40	8	9	27
BVC2-12-M22X1.5-15L-SW9	12	500	13	15	M22X1.5	12	82	48	35	52.5	17	40	8	9	30
BVC2-12-M22X1.5-15L-SW12	12	400	13	15	M22X1.5	12	82	47	38	63.5	19	46	11	12	32
BVC2-12-M26X1.5-18L-SW9	12	500	13	18	M26X1.5	12	82	48	35	52.5	17	40	8	9	30
BVC2-16-M26X1.5-18L-SW12	16	400	15	18	M26X1.5	12	82	47	38	63.5	19	46	11	12	32
BVC2-20-M30X2-22L	20	315	19	22	M30X2	14	101	60	48	75	24	57	12	14	41
BVC2-25-M36X2-28L	25	315	25	28	M36X2	14	108	65	57	82	28.5	64	12	14	50
BVC2-25-M45X2-35L	25	315	25	35	M45X2	16	112	65	60	82	28.5	64	12	14	50
BVC2(O)-32-M45X2-35L	32	315	30	35	M45X2	16	141	84	82	108	41	87.5	14	17	60
BVC2(O)-40-M52X2-42L	40	315	38	42	M52X2	16	162	91	93	119.5	46.5	99	14	17	70





## DIN 2353 HEAVY SERIES

Part Number	DN	PN	LW	RA	d1	i	L	L1	B	H	h1	h2	h3	SW1	SW2
BVC2-04-M16X1.5-08S	04	500	5	8	M16X1.5	12	73	37	28	44.5	13	32	8	9	22
BVC2-06-M18X1.5-10S	06	500	6	10	M18X1.5	12	73	37	28	44.5	13	32	8	9	22
BVC2-08-M20X1.5-12S	08	500	8	12	M20X1.5	12	76	42	32	52.5	17	40	8	9	27
BVC2-10-M22X1.5-14S	10	500	10	14	M22X1.5	14	80	42	32	52.5	17	40	8	9	27
BVC2-12-M24X1.5-16S-SW9	12	500	13	16	M24X1.5	14	86	48	35	52.5	17	40	8	9	30
BVC2-12-M24X1.5-16S-SW12	12	400	13	16	M24X1.5	14	86	47	38	63.5	19	46	11	12	32
BVC2-12-M30X2-20S-SW9	12	500	13	20	M30X2	16	90	48	35	52.5	17	40	8	9	32
BVC2-16-M30X2-20S-SW12	16	400	15	20	M30X2	16	90	47	38	63.5	19	46	11	12	32
BVC2-19-M36X2-25S	19	315	20	25	M36X2	18	109	60	48	75	24	57	12	14	41
BVC2-25-M42X2-30S	25	315	25	30	M42X2	20	120	65	57	82	28.5	64	12	14	50
BVC2-25-M52X2-38S	25	315	25	38	M52X2	22	124	65	60	82	28.5	64	12	14	55
BVC2(O)-32-M52X2-38S	32	315	30	38	M52X2	22	153	84	82	108	41	87.5	14	17	60

## METRIC FEMALE THREAD

Part Number	DN	PN	LW	d1	i	L	L1	B	H	h1	h2	h3	SW1	SW2
BVC2-06-M14X1.5	06	500	6	M14X1.5	14	69	37	28	44.5	13	32	8	9	22
BVC2-10-M18X1.5	10	500	10	M18X1.5	13	72	42	32	52.5	17	40	8	9	27
BVC2-12-M22X1.5	12	500	13	M22X1.5	15	83	48	35	52.5	17	40	8	9	30
BVC2-16-M22X1.5	16	400	15	M22X1.5	16	83	47	38	63.5	19	46	11	12	32
BVC2-19-M27X2	19	315	20	M27X2	18	95	60	48	75	24	57	12	14	41
BVC2-25-M33X2	25	315	25	M33X2	20	113	65	57	82	28.5	64	12	14	50
BVC2(O)-32-M42X2	32	315	30	M42X2	22	120	84	82	108	41	87.5	14	17	60
BVC2(O)-40-M48X2	40	315	38	M48X2	24	130	91	93	119.5	46.5	99	14	17	70
BVC2(O)-50-M60X2	50	315	48	M60X2	26	140	100	110	135.5	55	115	14	17	80

## ISO 7-1 FEMALE

Part Number	DN	PN	LW	d1	i	L	L1	B	H	h1	h2	h3	SW1	SW2
BVC2-06-04Rc	06	500	6	Rc1/4	14	69	37	28	44.5	13	32	8	9	22
BVC2-10-06Rc	10	500	10	Rc3/8	14	72	42	32	52.5	17	40	8	9	27
BVC2-12-08Rc	12	500	13	Rc1/2	17	83	48	35	52.5	17	40	8	9	30
BVC2-19-12Rc	19	315	20	Rc3/4	20	95	60	48	75	24	57	12	14	41
BVC2-25-16Rc	25	315	25	Rc1	22.5	113	65	57	82	28.5	64	12	14	50
BVC2(O)-32-20Rc	32	315	30	Rc1 1/4	25	120	84	82	108	41	87.5	14	17	60
BVC2(O)-40-24Rc	40	315	38	Rc1 1/2	25	130	91	93	119.5	46.5	99	14	17	70
BVC2(O)-50-32Rc	50	315	48	Rc2	30	140	100	110	135.5	55	115	14	17	80