



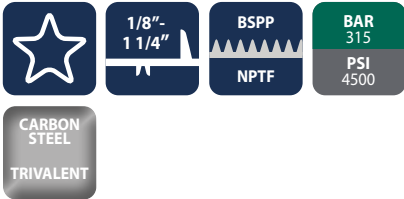
Adjustable flow control throttle valves

TV Series



INTRODUCTION

Holmbury's TV Throttle valves are designed to control the flow rate in a system. Adjusting the rotary handle (lockable) to open or restrict the thru bore accurately controls the flow.



CONSTRUCTION

- Carbon steel body with trivalent plating
- Fitted with NBR seals as standard

FEATURES

- Flow Control
- Adjustable lockable handle
- TV - Bi-directional flow
- TV-CV - One way flow (Non-return)

SPECIFICATIONS

- Operating temperature : -20°C (-4°F) to 70°C (158°F)

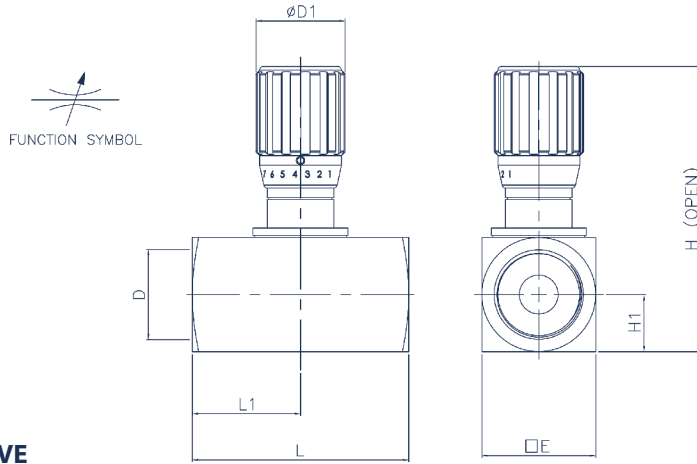
APPLICATIONS

- Construction
- Mobile Hydraulics
- Test Equipment
- Machine Tools
- General Hydraulics
- Agricultural



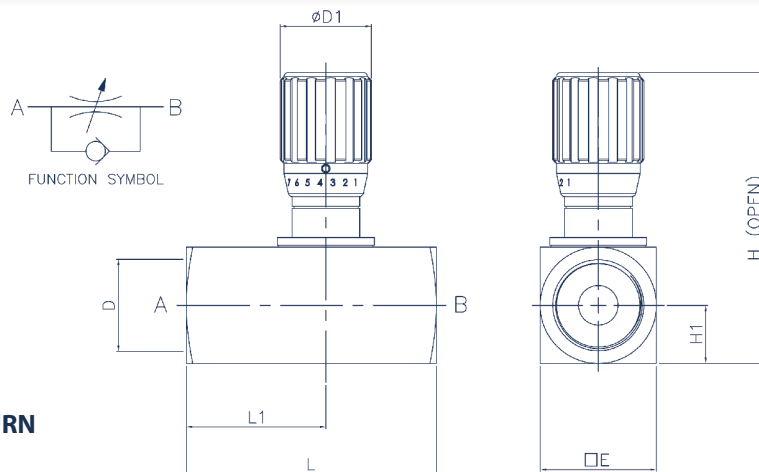
TV PERFORMANCE CHARACTERISTICS

Body Size	TV02	TV04	TV06	TV08	TV12	TV16	TV20
	Pressure in bar - Flow in LPM Pressure in PSI - Flow in GPM						
Maximum working pressure	315 4568	315 4568	315 4568	315 4568	315 4568	315 4568	315 4568
Burst pressure	1260 18270	1260 18270	1260 18270	1260 18270	1260 18270	1260 18270	1260 18270
Rated flow	14 3.7	40 10.5	60 15.8	85 22.4	185 48.8	200 52.8	300 79.2



THREADED TYPE THROTTLE VALVE

Part Number	L	L1	D	D1	E	H	H1
TV02G	48	24	1/8 BSPP	30	28	82	14
TV02N	48	24	1/8 NPTF	30	28	82	14
TV04G	54	27	1/4 BSPP	30	28	82	14
TV04N	54	27	1/4 NPTF	30	28	82	14
TV06G	54	27	3/8 BSPP	30	28	82	14
TV06N	54	27	3/8 NPTF	30	28	82	14
TV08G	68	34	1/2 BSPP	38	38	108	19
TV08N	68	34	1/2 NPTF	38	38	108	19
TV12G	78	39	3/4 BSPP	38	38	108	19
TV12N	78	39	3/4 NPTF	38	38	108	19
TV16G	92	46	1 BSPP	47	48	138	24
TV16N	92	46	1 NPTF	47	48	138	24
TV20G	114	57	1 1/4 BSPP	47	60	150	30
TV20N	114	57	1 1/4 NPTF	47	60	150	30



THREADED TYPE NON-RETURN THROTTLE VALVE

Part Number	L	L1	D	D1	E	H	H1
TV02G-CV	58	36	1/8 BSPP	30	28	82	14
TV02N-CV	58	36	1/8 NPTF	30	28	82	14
TV04G-CV	64	39	1/4 BSPP	30	28	82	14
TV04N-CV	64	39	1/4 NPTF	30	28	82	14
TV06G-CV	70	43	3/8 BSPP	30	28	82	14
TV06N-CV	70	43	3/8 NPTF	30	28	82	14
TV08G-CV	83	52	1/2 BSPP	38	38	108	19
TV08N-CV	83	52	1/2 NPTF	38	38	108	19
TV12G-CV	89	55.5	3/4 BSPP	38	38	108	19
TV12N-CV	89	55.5	3/4 NPTF	38	38	108	19
TV16G-CV	117	72	1 BSPP	47	48	138	24
TV16N-CV	117	72	1 NPTF	47	48	138	24
TV20G-CV	154	97	1 1/4 BSPP	47	60	150	30
TV20N-CV	154	97	1 1/4 NPTF	47	60	150	30