



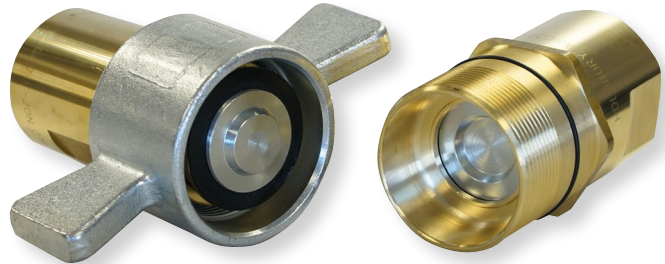
Brass wing style screw to connect couplings with steel nut

WSC Series



INTRODUCTION

Holmbury's WSC Series brass screw to connect couplings are designed to allow connection and disconnection by hand. The brass construction makes them the idea choice for water based applications.



CONSTRUCTION

- Brass body
- Wing nut carbon steel with trivalent plating
- Fitted with Nitrile seals

FEATURES

- Can be connected with 50 bar (735 psi) residual pressure in the hydraulic circuit
- Bidirectional flow

ACCESSORIES

- Dust caps, plugs and mounting flanges are available for the WSC Series

SPECIFICATIONS

- Operating temperatures (With Nitrile seals): -40°C (-40°F) to 106°C (223°F)

APPLICATIONS

- Trailers
- Wet line kits
- Oil and gas

WSC PERFORMANCE CHARACTERISTICS

Body Size	WSC19	WSC25	WSC32	WSC40
	Pressure in bar - Flow in LPM			
	Pressure in PSI - Flow in GPM			
Maximum working pressure (Coupled)	210 3045	210 3045	190 2755	175 2538
Burst pressure (Coupled)	650 9425	650 9425	650 9425	525 7613
Burst pressure (Male)	650 9425	650 9425	650 9425	525 7613
Burst pressure (Female)	600 8700	600 8700	600 8700	475 6888
Rated flow	106 28	189 50	288 76	379 100

CAPS/PLUGS ACCESSORIES

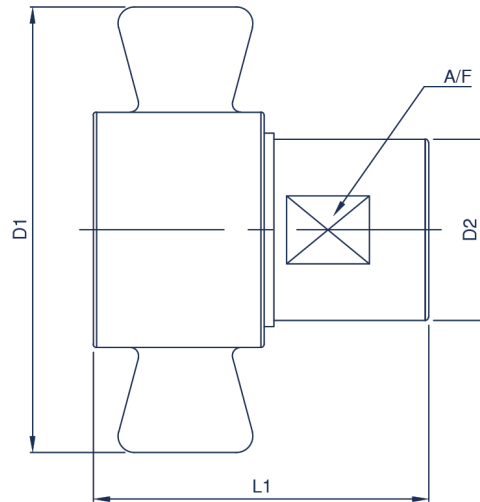
FEMALE PLUGS	MALE CAPS
WSC19-F-PLUG	WSC19-M-CAP
WSC25-F-PLUG	WSC25-M-CAP
WSC32-F-PLUG	WSC32-M-CAP
WSC40-F-PLUG	WSC40-M-CAP

Standard material is brass

FLANGE KITS

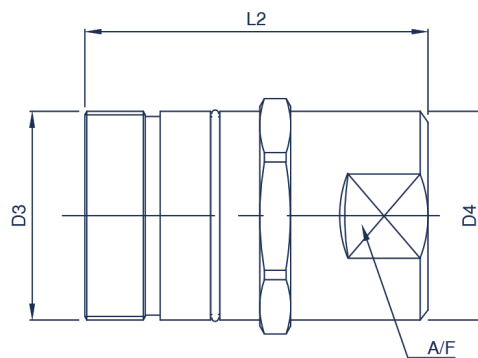
WSC19-M-FLANGE
WSC25-M-FLANGE
WSC32-M-FLANGE
WSC40-M-FLANGE

Standard material is plated carbon steel



WSC FEMALE COUPLING

Body Size	Part Number	Thread Size	D1		L1		D2		A/F	
			mm	inch	mm	inch	mm	inch	mm	inch
19 (3/4)	WSC19-F-08N	1/2 NPTF	103.0	4.06	78.5	3.09	31.7	1.25	29.5	1.16
	WSC19-F-08N-HN	1/2 NPTF	44.4	1.75	78.5	3.09	31.7	1.25	29.5	1.16
	WSC19-F-12N	3/4 NPTF	103.0	4.06	78.5	3.09	31.7	1.25	29.5	1.16
	WSC19-F-12N-HN	3/4 NPTF	44.4	1.75	78.5	3.09	31.7	1.25	29.5	1.16
25 (1)	WSC25-F-16N	1 NPTF	111.0	4.37	93.0	3.66	39.8	1.57	36.5	1.44
	WSC25-F-16N-HN	1 NPTF	54.0	2.13	93.0	3.66	39.8	1.57	36.5	1.44
32 (1 1/4)	WSC32-F-20N	1 1/4 NPTF	131.8	5.19	101.0	3.98	48.0	1.89	45.2	1.78
	WSC32-F-20N-HN	1 1/4 NPTF	63.5	2.50	101.0	3.98	48.0	1.89	45.2	1.78
40 (1 1/2)	WSC40-F-24N	1 1/2 NPTF	134.9	5.31	102.0	4.02	55.0	2.17	50.8	2.00
	WSC40-F-24N-HN	1 1/2 NPTF	70.0	2.76	102.0	4.02	55.0	2.17	50.8	2.00



WSC MALE COUPLING

Body Size	Part Number	Thread Size	D3	L2		D4		A/F	
			(Thread Size)	mm	inch	mm	inch	mm	inch
19 (3/4)	WSC19-M-08N	1/2 NPTF	1 1/2-12 UN	79.0	3.11	37.5	1.48	30.0	1.18
	WSC19-M-12N	3/4 NPTF	1 1/2-12 UN	79.0	3.11	37.5	1.48	30.0	1.18
25 (1)	WSC25-M-16N	1 NPTF	1 7/8-12 UN	90.0	3.54	44.2	1.74	40.0	1.57
32 (1 1/4)	WSC32-M-20N	1 1/4 NPTF	2 1/8-12 UN	94.0	3.70	53.0	2.09	47.7	1.88
40 (1 1/2)	WSC40-M-24N	1 1/2 NPTF	2 1/2-12 UN	104.6	4.12	62.7	2.47	57.2	2.25

For all other configurations or thread types please contact the sales office.