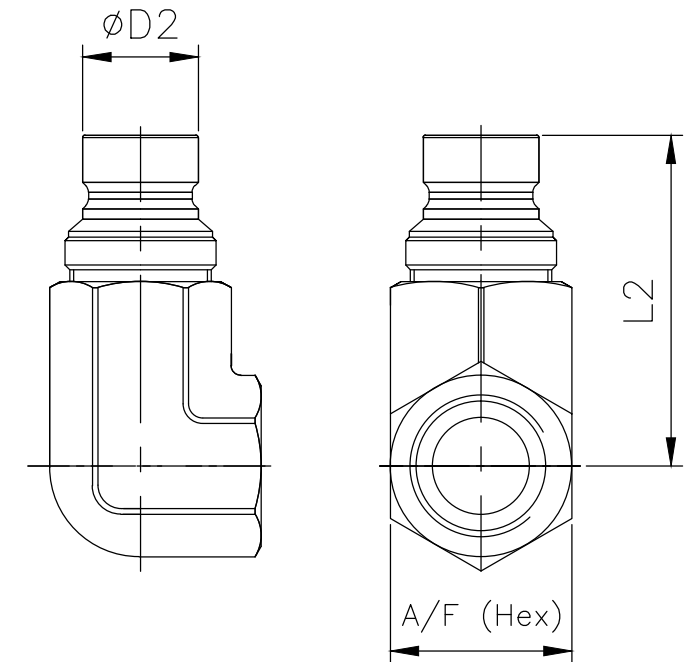


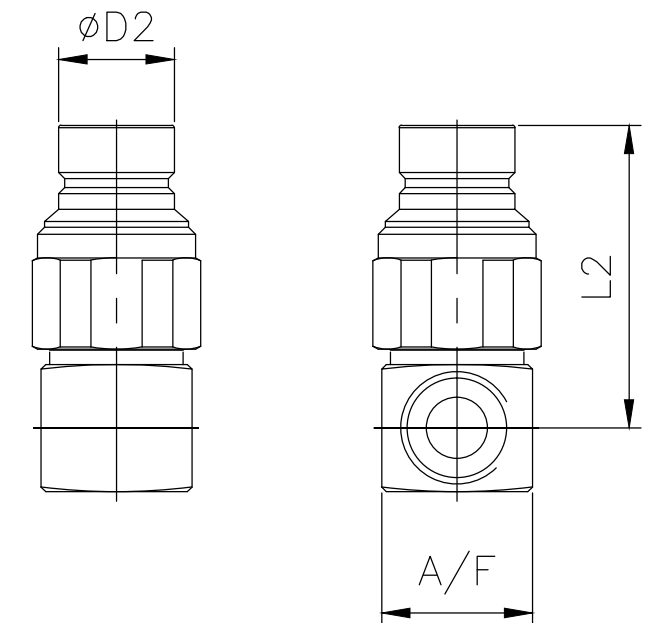
## Male H90 Series

Drawing Number	Body Size	Part Number	Thread Size	L2		D2		A/F	
				(mm)	(Inch)	(mm)	(Inch)	(mm)	(Inch)
H10062-1	12	H12-M-06JM-90	9/16-18 UNF	68.25	2.69	24.52	0.97	34.00	1.34
H10062-2		H12-M-08S-90	3/4-16 UNF	68.25	2.69	24.52	0.97	34.00	1.34
H10062-3		H12-M-12JM-90	1 1/16 UN	68.25	2.69	24.52	0.97	34.00	1.34



## Male HQ90 Series

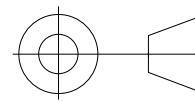
Drawing Number	Body Size	Part Number	Thread Size	L2		D2		A/F	
				(mm)	(Inch)	(mm)	(Inch)	(mm)	(Inch)
H10062-4	12	HQ12-M-04S-90	7/16-20 UNF	61.04	2.40	24.52	0.97	32.00	1.26
H10062-5		HQ12-M-06-90	9/16-18 UNF	61.04	2.40	24.52	0.97	32.00	1.26
H10062-6		HQ12-M-08N-90	3/4-16 NPTF	67.92	2.67	24.52	0.97	32.00	1.26
H10062-7		HQ12-M-08S-90	3/4-16 UNF	63.35	2.49	24.52	0.97	32.00	1.26



ISSUE NUMBER	DESCRIPTION	DATE	APPROVED
A	ORIGINAL	19/02/21	JF

**REVISIONS**

ALL DIMENSIONS IN MM UNLESS OTHERWISE STATED  
REMOVE BURRS AND SHARP EDGES  
A RADIUS OR CHAMFER OF 0.2 (MAX) IS PERMITTED IN CORNERS UNLESS STATED  
DRAWING PROCEDURE TO BS8888



SHEET NUMBER  
1 OF 1

PROTECTIVE FINISH  
Trivalent  
  
MATERIAL  
Body: Carbon Steel  
Seals: NBR

GENERAL TOLERANCE  
 $\pm 0.1$   
UNLESS STATED  
  
SCALE 2:1  
  
SURFACE ROUGHNESS 3.2 UNLESS STATED

DRAWN BY DATE  
G.Moore 19/02/21  
CHECKED BY DATE  
J.Jarvis 19/02/21  
APPROVED BY DATE  
J.French 19/02/21

The copyright of this document is vested solely in Holmbury Ltd. Reproduction of this document, in whole or in part, is prohibited other than with the express permission of the above company.  
©HOLMBURY LTD 1999



HOLMBURY GROUP  
Premier House, 1 Vale Rise,  
Tonbridge, Kent, TN9 1TB, UK  
www.holmbury.com  
Tel: +0044 1732 378 912  
sales@holmbury.com

TITLE  
H90 & HQ90 Series - Male  
DRAWING NO  
H10062  
ISSUE NO  
A