



Connect under pressure high flow couplings fitted with a safety locking sleeve

F (Nordic) Series



INTRODUCTION

Holmbury's F Series 'Nordic interchange' high flow safety couplings offer three important benefits; high flow, connection under pressure and a safety locking mechanism to prevent accidental disconnection.



CONSTRUCTION

- Carbon steel with zinc nickel plating (1200 hours with no red rust in salt spray tests)
- Fitted with Nitrile seals (Other seals available on request)
- Also available in stainless steel (see FS Series)

FEATURES

- High flow rates
- Optional pressure eliminator allows connection with residual pressure in the hydraulic circuit (Not applicable for size 06)
- Low pressure drop characteristics
- Safety locking ring to avoid accidental disconnection

- Female half has double 'O' ring sealing arrangement
- Bidirectional flow

ACCESSORIES

- Dust caps, plugs and seal kits are available for the F Series

SPECIFICATIONS

- Operating temperatures (with Nitrile seals): -40°C (-40°F) to 106°C (223°F)

APPLICATIONS

- Mobile plant
- General industrial
- Forestry equipment

F (Nordic) PERFORMANCE CHARACTERISTICS

Body Size	F06	F10	F12	F19	F25
	Pressure in bar - Flow in LPM				
	Pressure in PSI - Flow in GPM				
Maximum working pressure (Coupled)	600 8702	350 5076	315 4569	300 4351	260 3771
Burst pressure (Coupled)	2100 30458	1500 21756	1300 18855	1250 18130	1100 15954
Burst pressure (Male)	2100 30458	1500 21756	1250 18130	1250 18130	1100 15954
Burst pressure (Female)	1500 21756	1450 21030	1200 17405	1200 17405	1000 14504
Rated flow	3 0.8	23 6.1	45 12	106 28	189 50

CAPS/PLUGS ACCESSORIES

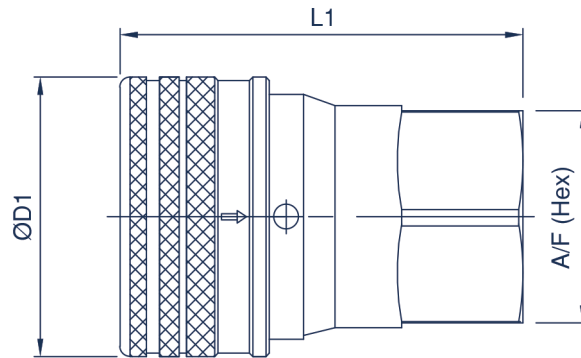
FEMALE PLUGS	MALE CAPS
F06-F-PLUG	F06-M-CAP
F10-F-PLUG	F10-M-CAP
F12-F-PLUG	F12-M-CAP
F19-F-PLUG	F19-M-CAP
F25-F-PLUG	F25-M-CAP

Standard colour is red pvc

SEAL KITS

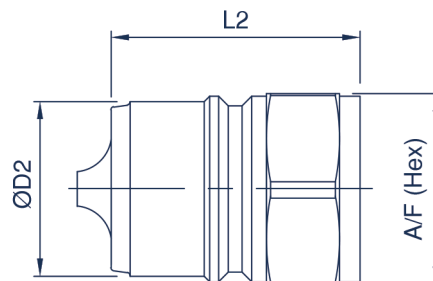
F06-F-SEAL KIT
F10-F-SEAL KIT
F12-F-SEAL KIT
F19-F-SEAL KIT
F25-F-SEAL KIT

F (Nordic) Series



F (Nordic) FEMALE COUPLING

Body Size	Part Number	Thread Size	D1		L1		A/F	
			mm	inch	mm	inch	mm	inch
06 (1/4)	F06-F-04G	1/4 BSPP	26.0	1.02	60.5	2.38	20.0	0.79
	F06-F-04G-PE	1/4 BSPP	26.0	1.02	60.5	2.38	20.0	0.79
10 (3/8)	F10-F-06G	3/8 BSPP	34.0	1.38	60.0	2.36	24.0	0.94
	F10-F-06G-PE	3/8 BSPP	34.0	1.38	60.0	2.36	24.0	0.94
12 (1/2)	F12-F-08G	1/2 BSPP	40.0	1.75	65.1	2.56	30.0	1.18
	F12-F-08G-PE	1/2 BSPP	40.0	1.75	65.1	2.56	30.0	1.18
19 (3/4)	F19-F-12G	3/4 BSPP	52.0	2.13	74.5	2.93	38.0	1.50
	F19-F-12G-PE	3/4 BSPP	52.0	2.13	74.5	2.93	38.0	1.50
25 (1)	F25-F-16G	1 BSPP	62.0	2.52	88.5	3.48	45.0	1.77
	F25-F-16G-PE	1 BSPP	62.0	2.52	88.5	3.48	45.0	1.77



F (Nordic) MALE COUPLING

Body Size	Part Number	Thread Size	D2		L2		A/F	
			mm	inch	mm	inch	mm	inch
06 (1/4)	F06-M-04G	1/4 BSPP	11.9	0.47	49.0	1.93	19.0	0.75
	F06-M-04G-PE	1/4 BSPP	11.9	0.47	49.0	1.93	19.0	0.75
10 (3/8)	F10-M-06G	3/8 BSPP	20.0	0.79	38.0	1.50	22.0	0.87
	F10-M-06G-PE	3/8 BSPP	20.0	0.79	38.0	1.50	22.0	0.87
12 (1/2)	F12-M-08G	1/2 BSPP	25.0	0.98	41.5	1.63	27.0	1.06
	F12-M-08G-PE	1/2 BSPP	25.0	0.98	41.5	1.63	27.0	1.06
19 (3/4)	F19-M-12G	3/4 BSPP	33.0	1.30	46.5	1.83	36.0	1.42
	F19-M-12G-PE	3/4 BSPP	33.0	1.30	46.5	1.83	36.0	1.42
25 (1)	F25-M-16G	1 BSPP	41.0	1.61	54.5	2.15	46.0	1.81
	F25-M-16G-PE	1 BSPP	41.0	1.61	54.5	2.15	46.0	1.81

For all other configurations or thread types please contact the sales office.