



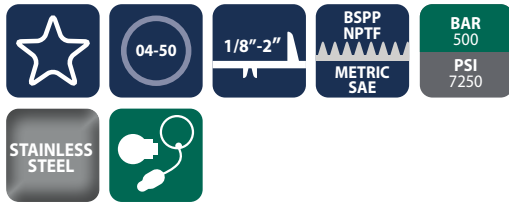
Stainless steel three-way high-pressure ball valves

BVS3 Series



INTRODUCTION

Holmbury's BVS3 Series three-way stainless steel high-pressure ball valves are designed to suit a wide range of applications. These valves should not be used as flow control valves and should therefore always be fully open or closed.



CONSTRUCTION

- AISI 316 stainless steel body (Some internal components carbon steel)
- Zinc alloy handle
- Fitted with FKM and POM seals as standard
- Also available in carbon steel (See BVC3 Series)

FEATURES

- Available in 'L' port (standard) and 'T' port (optional)
- One piece body design provides additional strength
- Full bore valves provide unrestricted flow path for negligible pressure drop
- 90° operation
- Offset handle allows clearance for easy operation

ACCESSORIES

- Valve locking kits and valve handles are available for the BVS3 Series

SPECIFICATIONS

- Operating temperatures (With FKM seals): -20°C (-4°F) to 200°C (392°F)

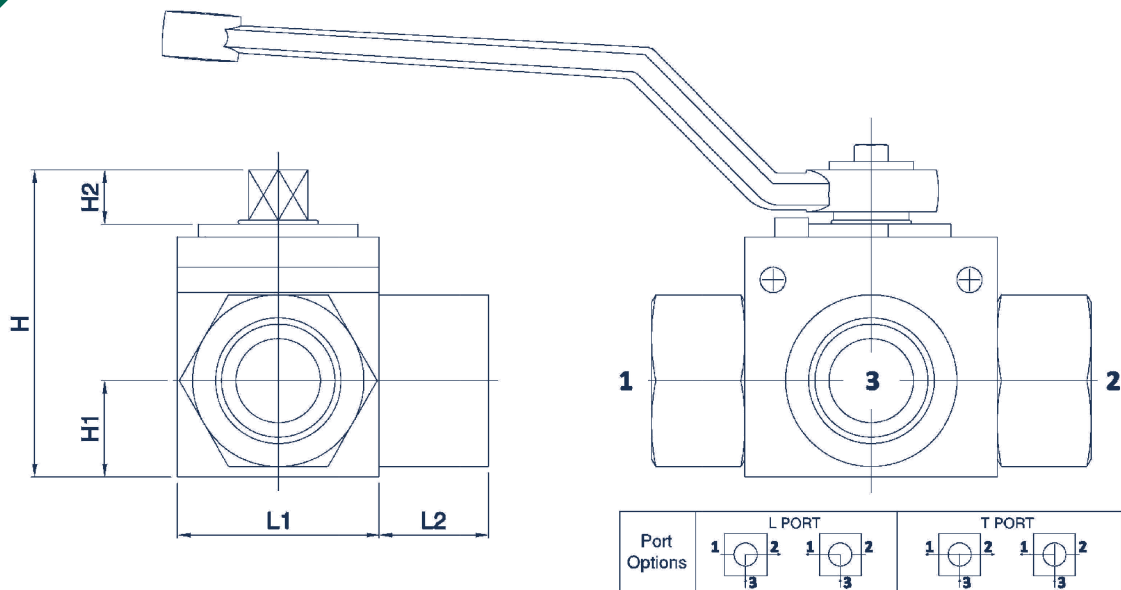
APPLICATIONS

- Marine
- Offshore
- Pharmaceutical
- Power Generation

BVS3 PERFORMANCE CHARACTERISTICS

Body Size	BVS304	BVS306	BVS310	BVS312	BVS319	BVS325	BVS332	BVS340	BVS350
	Pressure in bar - Flow in LPM Pressure in PSI - Flow in GPM								
Maximum working pressure	500 7250	500 7250	500 7250	500 7250	315 4568	315 4568	315 4568	315 4568	315 4568
Burst pressure	2000 29000	2000 29000	2000 29000	2000 29000	1260 18270	1260 18270	1260 18270	1260 18270	1260 18270
Rated flow	3 0.8	12 3.2	23 6.1	45 12	100 26.4	189 50	250 66	379 100	757 200

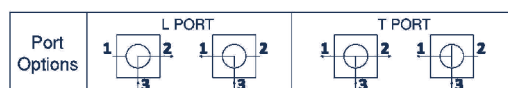
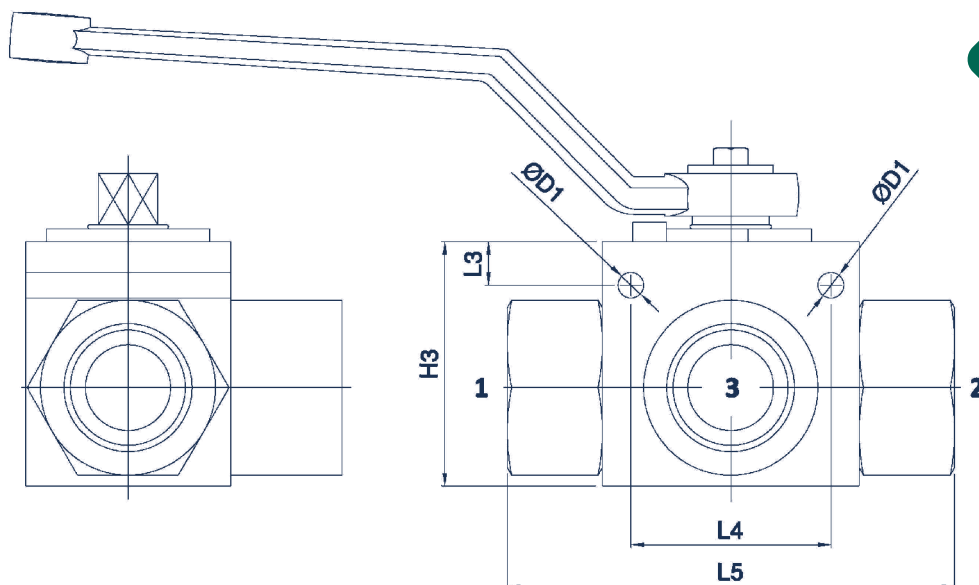




BVS3 SERIES

Body Size	Part Number	Thread Size	H		H1		H2		L1		L2	
			mm	inch	mm	inch	mm	inch	mm	inch	mm	inch
04 (1/8)	BVS3-04-02G	1/8 BSPP	44.2	1.74	13.0	0.51	8.1	0.32	28.0	1.10	21.0	0.83
	BVS3-04-02N	1/8 NPTF	44.2	1.74	13.0	0.51	8.1	0.32	28.0	1.10	21.0	0.83
06 (1/4)	BVS3-06-04G	1/4 BSPP	44.2	1.74	13.0	0.51	8.7	0.34	28.0	1.10	21.0	0.83
	BVS3-06-04N	1/4 NPTF	44.2	1.74	13.0	0.51	8.7	0.34	28.0	1.10	21.0	0.83
	BVS3-06-04S	7/16-20 UNF	44.2	1.74	13.0	0.51	8.7	0.34	28.0	1.10	21.0	0.83
10 (3/8)	BVS3-10-06G	3/8 BSPP	52.2	2.06	17.0	0.67	8.7	0.34	32.0	1.26	20.0	0.79
	BVS3-10-06N	3/8 NPTF	52.2	2.06	17.0	0.67	8.7	0.34	32.0	1.26	20.0	0.79
	BVS3-10-06S	9/16-18 UNF	52.2	2.06	17.0	0.67	8.7	0.34	32.0	1.26	20.0	0.79
12 (1/2)	BVS3-12-08G	1/2 BSPP	52.2	2.06	17.0	0.67	8.7	0.34	35.0	1.38	22.5	0.89
	BVS3-12-08N	1/2 NPTF	52.2	2.06	17.0	0.67	8.7	0.34	35.0	1.38	22.5	0.89
	BVS3-12-08S	3/4-16 UNF	52.2	2.06	17.0	0.67	8.7	0.34	35.0	1.38	22.5	0.89
19 (3/4)	BVS3-19-12G	3/4 BSPP	75.2	2.96	24.0	0.94	13.7	0.54	48.0	1.89	25.0	0.98
	BVS3-19-12N	3/4 NPTF	75.2	2.96	24.0	0.94	13.7	0.54	48.0	1.89	25.0	0.98
	BVS3-19-12S	1 1/16-12 UN	75.2	2.96	24.0	0.94	13.7	0.54	48.0	1.89	25.0	0.98
25 (1)	BVS3-25-16G	1 BSPP	82.2	3.24	28.5	1.12	13.7	0.54	57.0	2.24	28.0	1.10
	BVS3-25-16N	1 NPTF	82.2	3.24	28.5	1.12	13.7	0.54	57.0	2.24	28.0	1.10
	BVS3-25-16S	1 5/16-12 UN	82.2	3.24	28.5	1.12	13.7	0.54	57.0	2.24	28.0	1.10
32 (1 1/4)	BVS3-32-20G	1 1/4 BSPP	104.5	4.11	37.5	1.48	16.0	0.63	75.0	2.95	17.5	0.69
	BVS3-32-20N	1 1/4 NPTF	104.5	4.11	37.5	1.48	16.0	0.63	75.0	2.95	17.5	0.69
	BVS3-32-20S	1 5/8-12 UN	104.5	4.11	37.5	1.48	16.0	0.63	75.0	2.95	17.5	0.69
40 (1 1/2)	BVS3-40-24G	1 1/2 BSPP	115.5	4.55	42.5	1.67	16.0	0.63	85.0	3.35	22.5	0.89
	BVS3-40-24N	1 1/2 NPTF	115.5	4.55	42.5	1.67	16.0	0.63	85.0	3.35	22.5	0.89
	BVS3-40-24S	1 7/8-12 UN	115.5	4.55	42.5	1.67	16.0	0.63	85.0	3.35	22.5	0.89
50 (2)	BVS3-50-32G	2 BSPP	133.0	5.24	52.5	2.07	16.0	0.63	105.0	4.13	17.5	0.69
	BVS3-50-32N	2 NPTF	133.0	5.24	52.5	2.07	16.0	0.63	105.0	4.13	17.5	0.69
	BVS3-50-32S	2 1/2-12 UN	133.0	5.24	52.5	2.07	16.0	0.63	105.0	4.13	17.5	0.69

For all other configurations or thread types please contact the sales office.



BVS3 SERIES

Body Size	Part Number	Thread Size	H3		L3		D1		L4		L5	
			mm	inch	mm	inch	mm	inch	mm	inch	mm	inch
04 (1/8)	BVS3-04-02G	1/8 BSPP	32.0	1.26	5.0	0.20	4.5	0.18	26.0	1.02	69.0	2.72
	BVS3-04-02N	1/8 NPTF	32.0	1.26	5.0	0.20	4.5	0.18	26.0	1.02	69.0	2.72
06 (1/4)	BVS3-06-04G	1/4 BSPP	32.0	1.26	5.0	0.20	4.5	0.18	26.0	1.02	69.0	2.72
	BVS3-06-04N	1/4 NPTF	32.0	1.26	5.0	0.20	4.5	0.18	26.0	1.02	69.0	2.72
	BVS3-06-04S	7/16-20 UNF	32.0	1.26	5.0	0.20	4.5	0.18	26.0	1.02	69.0	2.72
10 (3/8)	BVS3-10-06G	3/8 BSPP	40.0	1.57	5.0	0.20	6.5	0.26	32.0	1.26	72.0	2.83
	BVS3-10-06N	3/8 NPTF	40.0	1.57	5.0	0.20	6.5	0.26	32.0	1.26	72.0	2.83
	BVS3-10-06S	9/16-18 UNF	40.0	1.57	5.0	0.20	6.5	0.26	32.0	1.26	72.0	2.83
12 (1/2)	BVS3-12-08G	1/2 BSPP	40.0	1.57	4.8	0.19	6.5	0.26	37.5	1.48	83.0	3.27
	BVS3-12-08N	1/2 NPTF	40.0	1.57	4.8	0.19	6.5	0.26	37.5	1.48	83.0	3.27
	BVS3-12-08S	3/4-16 UNF	40.0	1.57	4.8	0.19	6.5	0.26	37.5	1.48	83.0	3.27
19 (3/4)	BVS3-19-12G	3/4 BSPP	57.0	2.24	6.5	0.26	6.5	0.26	45.0	1.77	95.0	3.74
	BVS3-19-12N	3/4 NPTF	57.0	2.24	6.5	0.26	6.5	0.26	45.0	1.77	95.0	3.74
	BVS3-19-12S	1 1/16-12 UN	57.0	2.24	6.5	0.26	6.5	0.26	45.0	1.77	95.0	3.74
25 (1)	BVS3-25-16G	1 BSPP	64.0	2.52	6.0	0.24	6.7	0.26	55.0	2.17	113.0	4.45
	BVS3-25-16N	1 NPTF	64.0	2.52	6.0	0.24	6.7	0.26	55.0	2.17	113.0	4.45
	BVS3-25-16S	1 5/16-12 UN	64.0	2.52	6.0	0.24	6.7	0.26	55.0	2.17	113.0	4.45
32 (1 1/4)	BVS3-32-20G	1 1/4 BSPP	84.0	3.31	9.0	0.35	10.8	0.43	66.0	2.60	110.0	4.33
	BVS3-32-20N	1 1/4 NPTF	84.0	3.31	9.0	0.35	10.8	0.43	66.0	2.60	110.0	4.33
	BVS3-32-20S	1 5/8-12 UN	84.0	3.31	9.0	0.35	10.8	0.43	66.0	2.60	110.0	4.33
40 (1 1/2)	BVS3-40-24G	1 1/2 BSPP	95.0	3.74	9.0	0.35	10.8	0.43	72.0	2.83	130.0	5.12
	BVS3-40-24N	1 1/2 NPTF	95.0	3.74	9.0	0.35	10.8	0.43	72.0	2.83	130.0	5.12
	BVS3-40-24S	1 7/8-12 UN	95.0	3.74	9.0	0.35	10.8	0.43	72.0	2.83	130.0	5.12
50 (2)	BVS3-50-32G	2 BSPP	112.5	4.43	9.0	0.35	10.8	0.43	80.0	3.15	140.0	5.51
	BVS3-50-32N	2 NPTF	112.5	4.43	9.0	0.35	10.8	0.43	80.0	3.15	140.0	5.51
	BVS3-50-32S	2 1/2-12 UN	112.5	4.43	9.0	0.35	10.8	0.43	80.0	3.15	140.0	5.51

For all other configurations or thread types please contact the sales office.

