



Screw to connect heavy duty couplings

FSC Series



INTRODUCTION

Holmbury's FSC Series flat faced screw to connect couplings offer a compact, rugged connection to eliminate brinelling. An ideal solution for high pressure pulses and demanding applications.



PLEASE NOTE Holmbury FSC range can be **interchanged with other brands** - use the QR code opposite for further information



CONSTRUCTION

- Carbon steel with zinc nickel plating (1200 hours with no red rust in salt spray tests)
- Fitted with NBR seals, Polyurethane and PTFE backup ring
- Other seal options available on request

FEATURES

- Screw to connect design eliminates brinelling
- Integral connect under pressure feature
- Flat faces are easily wiped clean
- Allows for minimal inclusion of air and contaminants during connection
- Flat face design prevents fluid loss during disconnection
- Bidirectional flow
- Interchangeable with other leading brands. Contact Holmbury for more information

ACCESSORIES

- Dust caps, plugs and seal kits are available for the FSC Series

SPECIFICATIONS

- Operating temperatures (With NBR seals): -30°C (-22°F) to 100°C (212°F)

APPLICATIONS

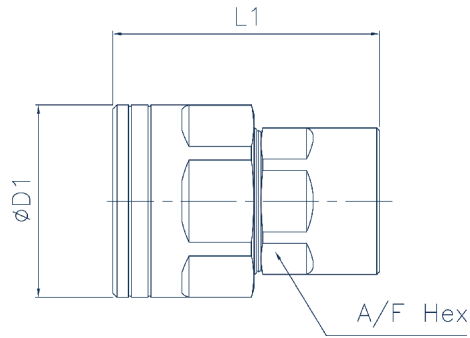
- Hydraulic attachments
- Hammer circuits
- High pressure pulse applications
- Leak free environments
- Construction plant, mobile equipment, general industrial, mining and agricultural industries
- Agricultural

FSC PERFORMANCE CHARACTERISTICS

Body Size	FSC10	FSC12	FSC16	FSC19	FSC25
	Pressure in bar - Flow in LPM				
	Pressure in PSI - Flow in GPM				
Maximum working pressure (Coupled)	550 7975	550 7975	550 7975	500 7250	470 6815
Burst pressure (Coupled)	1400 20300	1400 20300	1400 20300	1400 20300	1300 18850
Burst pressure (Male)	1400 20300	1400 20300	1400 20300	1400 20300	1300 18850
Burst pressure (Female)	1100 15950	1000 14500	1000 14500	1050 15225	1000 14500
Rated flow	23 6.1	45 12	74 20	100 26.4	189 50

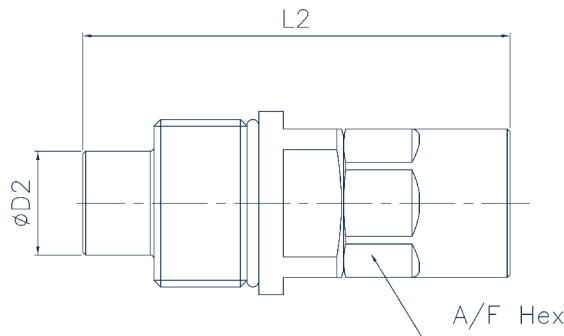
CAPS/PLUGS ACCESSORIES

FEMALE PLUGS	MALE CAPS
HFT10-F-PLUG	HFT10-M-CAP
HFT12-F-PLUG	HFT12-M-CAP
HFT16-F-PLUG	HFT16-M-CAP
HFT19-F-PLUG	HFT19-M-CAP
HFT25-F-PLUG	HFT25-M-CAP



FSC FEMALE COUPLING

Body Size	Part Number	Thread Size	D1		L1		A/F	
			mm	inch	mm	inch	mm	inch
10 (3/8)	FSC10-F-06N	3/8 NPTF	41.3	1.63	67.9	2.67	23.8	0.94
	FSC10-F-08N	1/2 NPTF	41.3	1.63	69.1	2.72	25.4	1.00
	FSC10-F-08S	3/4-16 UNF	41.3	1.63	69.1	2.72	23.8	0.94
12 (1/2)	FSC12-F-08N	1/2 NPTF	49.2	1.94	76.4	3.01	28.6	1.12
	FSC12-F-12N	3/4 NPTF	49.2	1.94	78.3	3.08	33.3	1.31
	FSC12-F-12S	1 1/16-12 UN	49.2	1.94	78.9	3.11	33.3	1.31
16 (5/8)	FSC16-F-12N	3/4 NPTF	54.0	2.12	83.6	3.29	30.0	1.18
	FSC16-F-12S	1 1/16-12 UN	54.0	2.12	83.6	3.29	30.0	1.18
19 (3/4)	FSC19-F-16N	1 NPTF	58.7	2.31	91.5	3.60	34.9	1.37
	FSC19-F-16S	1 5/16-12 UN	58.7	2.31	91.0	3.58	36.5	1.44
25 (1)	FSC25-F-20N	1 1/4 NPTF	66.7	2.63	93.2	3.67	46.0	1.81
	FSC25-F-20S	1 5/8-12 UN	66.7	2.63	92.7	3.65	46.0	1.81



FSC MALE COUPLING

Body Size	Part Number	Thread Size	D2		L2		A/F	
			mm	inch	mm	inch	mm	inch
10 (3/8)	FSC10-M-06N	3/8 NPTF	19.7	0.78	92.6	3.65	19.1	0.75
	FSC10-M-08N	1/2 NPTF	19.7	0.78	94.7	3.73	25.4	1.00
	FSC10-M-08S	3/4-16 UNF	19.7	0.78	94.9	3.74	23.8	0.94
12 (1/2)	FSC12-M-08N	1/2 NPTF	24.5	0.96	96.6	3.80	30.0	1.18
	FSC12-M-12N	3/4 NPTF	24.5	0.96	100.6	3.96	30.0	1.18
	FSC12-M-12S	1 1/16-12 UN	24.5	0.96	102.6	4.04	30.0	1.18
16 (5/8)	FSC16-M-12N	3/4 NPTF	26.9	1.06	124.5	4.90	30.0	1.18
	FSC16-M-12S	1 1/16-12 UN	26.9	1.06	126.7	4.99	30.0	1.18
19 (3/4)	FSC19-M-16N	1 NPTF	29.9	1.18	130.5	5.14	36.5	1.44
	FSC19-M-16S	1 5/16-12 UN	29.9	1.18	132.3	5.21	36.5	1.44
25 (1)	FSC25-M-20N	1 1/4 NPTF	36.0	1.42	150.6	5.93	46.0	1.81
	FSC25-M-20S	1 5/8-12 UN	36.0	1.42	148.1	5.83	46.0	1.81

CAUTION - Please see installation guide on page 89