



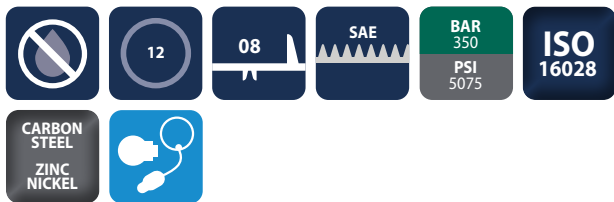
# Flat face 45° couplings made to the ISO 16028 Standard

## H45 Series



### INTRODUCTION

Holmbury's H45 Series is designed for use in applications that require a 45° elbow in the hydraulic circuit, such as digger booms. The angled design allows for easy mounting without the need for additional fittings, reducing potential leakage paths and cost.



### CONSTRUCTION

- Carbon steel with zinc nickel plating (1200 hours with no red rust in salt spray tests)
- Fitted with Nitrile seals

### FEATURES

- The H45 Series is designed to connect with the HQ and HCP Series flat face couplings
- Flat faces are easily wiped clean
- Allows for minimal inclusion of air and contaminants during connection
- Flat face design prevents fluid loss during disconnection
- Bidirectional flow

### ACCESSORIES

- Dust caps are available for the H45 Series

### SPECIFICATIONS

- Operating temperatures (With Nitrile seals): -40°C (-40°F) to 106°C (223°F)

### APPLICATIONS

- High pressure pulse applications
- Leak free environments
- Construction plant
- Mobile equipment
- General industrial
- Agricultural
- Skid steer loaders

### H45 PERFORMANCE CHARACTERISTICS

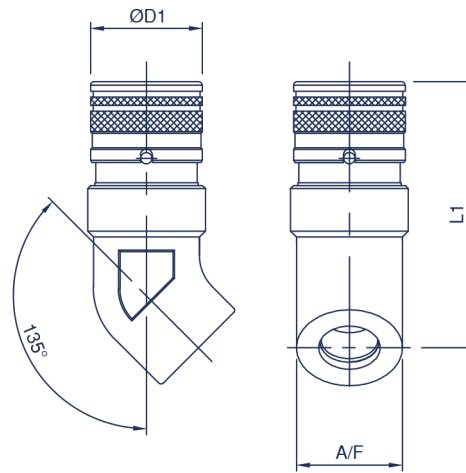
Body Size	H4512	
	Pressure in bar - Flow in LPM	Pressure in PSI - Flow in GPM
Maximum working pressure (Coupled)	350	5075
Burst pressure (Coupled)	1400	20300
Burst pressure (Male)	1300	18850
Burst pressure (Female)	1000	14500
Rated flow	45	12

### CAPS ACCESSORIES

FEMALE CAPS	MALE CAPS
HQ12-F-CAP	HQ12-M-CAP

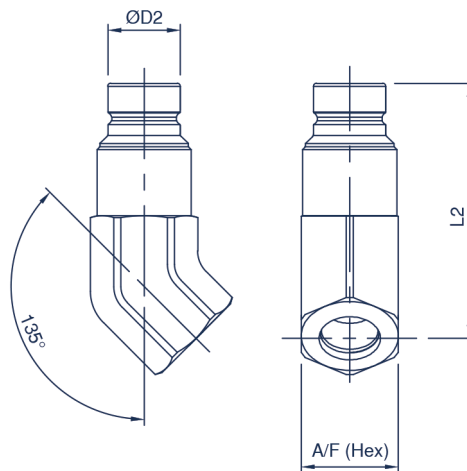
Standard colour is red pvc, other colours available upon request

# H45 Series



## H45 FEMALE COUPLING

Body Size	Part Number	Thread Size	D1		L1		A/F	
			mm	inch	mm	inch	mm	inch
12 (1/2)	H12-F-08S-45	3/4-16 UNF	38.0	1.50	72.8	2.87	36.0	1.42



## H45 MALE COUPLING

Body Size	Part Number	Thread Size	D2		L2		A/F	
			mm	inch	mm	inch	mm	inch
12 (1/2)	H12-M-08S-45	3/4-16 UNF	24.5	0.97	69.0	2.72	33.0	1.30

Other thread sizes and configurations available on request