



Two-way high-pressure ball valves

BVS2 Series (Weld Ends - Rated 160 Bar)



INTRODUCTION

Holmbury's BVS2 Series two-way high-pressure ball valves are designed to suit a wide range of applications. These valves should not be used as flow control valves and should therefore always be fully open or closed.



CONSTRUCTION

- AISI 316 stainless steel body (Some internal components carbon steel)
- Zinc alloy handle
- Forged steel option available
- Fitted with FKM and POM seals as standard
- Also available in carbon steel (See BVC2 Series)

FEATURES

- Floating ball design maximises sealing
- Full bore valves provide unrestricted flow path for negligible pressure drop
- Open to close in 1/4 turn
- Offset handle allows clearance for easy operation

ACCESSORIES

- Valve locking kits and valve handles are available for the BVS2 Series

SPECIFICATIONS

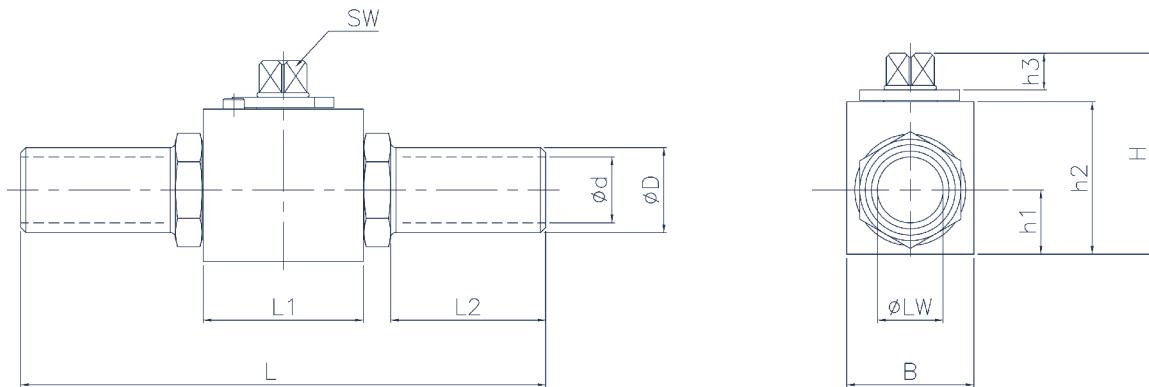
- Operating temperatures (With FKM seals): -20°C (-4°F) to 200°C (392°F)
- BVS2 - Ball Valve - Square Body (DN10-25)
- BVS2(O) - Ball Valve - Octagonal Body (DN32-50)

APPLICATIONS

- Marine
- Offshore
- Pharmaceutical
- Power Generation

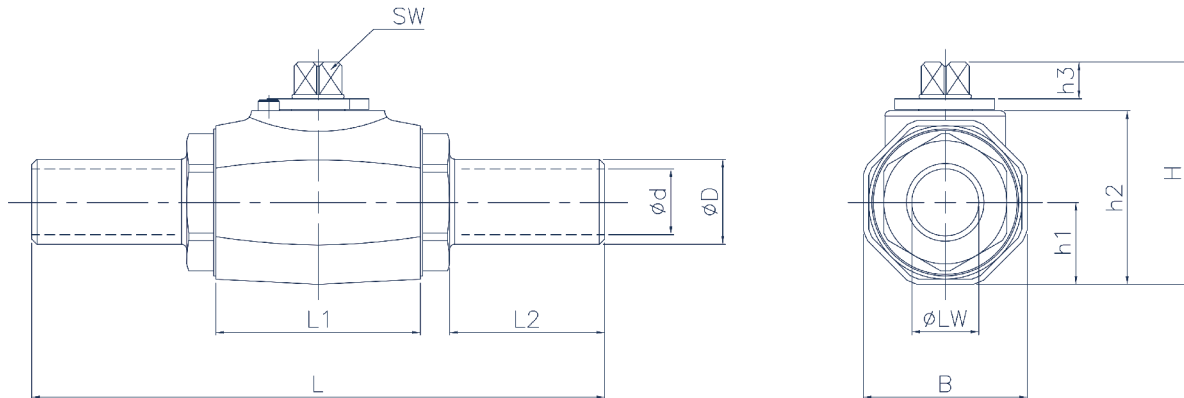
BVS2 PERFORMANCE CHARACTERISTICS

Body Size	BVS210	BVS212	BVS216	BVS219	BVS225	BVS232	BVS240	BVS250
	Pressure in bar - Flow in LPM Pressure in PSI - Flow in GPM							
Maximum working pressure	500 7250	500 7250	400 5800	315 4568	315 4568	315 4568	315 4568	315 4568
Burst pressure	2000 29000	2000 29000	1600 23200	1260 18270	1260 18270	1260 18270	1260 18270	1260 18270
Rated flow	23 6.1	45 12	74 20	100 26.4	189 50	250 66	379 100	757 200



WELD ENDS (Rated 160 Bar)

Part Number	DN	PN	LW	L	L1	L2	B	H	h1	h2	h3	d	D	SW
BVS2-10-WE-17.2-10	10	160	10	150	42	42	32	52.5	17	40	8	10	17.2	9
BVS2-12-WE-21.3-13	12	160	13	180	48	51	35	52.5	17	40	8	13	21.3	9
BVS2-16-WE-21.3-15	16	160	15	180	47	55	38	63.5	19	46	11	15	21.3	12
BVS2-19-WE-26.9-20	19	160	20	200	60	50	48	75	24	57	12	20	26.9	14
BVS2-19-WE-33.7-25	19	160	20	200	60	50	48	75	24	57	12	25	33.7	14
BVS2-25-WE-33.7-25	25	160	25	210	65	51	57	82	28.5	64	12	25	33.7	14
BVS2-25-WE-42.2-30	25	160	25	210	65	51	57	82	28.5	64	12	30	42.2	14



WELD ENDS (Rated 160 Bar)

Part Number	DN	PN	LW	L	L1	L2	B	H	h1	h2	h3	d	D	SW
BVS2(O)-32-WE-42.2-30	32	160	30	260	84	70	82	108	41	87.5	14	30	42.2	17
BVS2(O)-32-WE-48.3-38	32	160	30	260	84	70	82	108	41	87.5	14	38	48.3	17
BVS2(O)-40-WE-48.3-38	40	160	38	270	91	72	93	119.5	46.5	99	14	38	48.3	17
BVS2(O)-40-WE-60.3-48	40	160	38	270	91	72	93	119.5	46.5	99	14	48	60.3	17
BVS2(O)-50-WE-60.3-48	50	160	48	300	100	72	110	135.5	55	115	14	48	60.3	17
BVS2(O)-50-WE-76.1-63	50	160	48	300	100	72	110	135.5	55	115	14	63	76.1	17

