



Stainless steel in-line swivel joint couplings

SSIL Series



INTRODUCTION

Holmbury's SSIL Series stainless steel in-line swivel joint couplings are designed for in-line use on hydraulic circuits. Using a rotary coupling in the hydraulic line stops the hose twisting, limiting stress and increasing hose lifespan.



CONSTRUCTION

- AISI 316 stainless steel
- Fitted with Viton seals
- Also available in carbon steel as rotary coupling (See CRIL Series)

FEATURES

- Reduces torsional forces
- Can also be used in applications that are required to rotate but not under pressure, such as hose reels
- Spindle is carried on a roller bearing and has a low friction shaft seal that can rotate at maximum pressure with low torque

ACCESSORIES

- Not applicable

SPECIFICATIONS

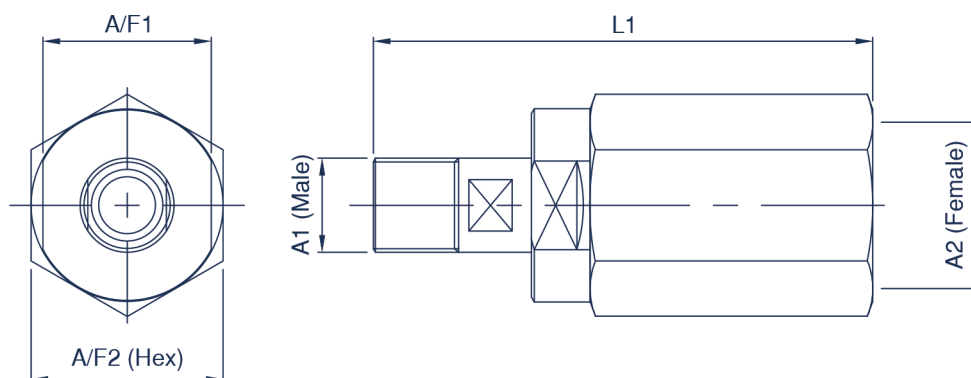
- Operating temperatures (With Viton seals): -20°C (-4°F) to 200°C (392°F)

APPLICATIONS

- General hydraulic systems
- Machine tools
- Test equipment
- Agricultural
- Mobile hydraulics

SSIL PERFORMANCE CHARACTERISTICS

Body Size	SSIL-06	SSIL-10	SSIL-12	SSIL-19	SSIL-25	SSIL-32	SSIL-40	SSIL-50
	Pressure in bar - Flow in LPM							
	Pressure in PSI - Flow in GPM							
Maximum working pressure	350	300	300	250	250	180	150	150
	5075	4350	4350	3625	3625	2610	2175	2175
Maximum flow rate	25	45	80	120	150	200	250	300
	6.6	11.9	21.1	31.7	39.6	52.8	66.0	79.3
Maximum rotational speed (RPM)	10	10	10	10	10	10	10	10



SSIL SERIES

Body Size	Part Number	A/F1		A1 x A2 Thread	L1		A/F2	
		mm	inch		mm	inch	mm	inch
06 (1/4)	SSIL-06-04GM-04G	24.0	0.94	1/4 BSPP x BSPP	75.0	2.95	27.0	1.06
	SSIL-06-04NM-04N	24.0	0.94	1/4 NPTF x NPTF	75.0	2.95	27.0	1.06
10 (3/8)	SSIL-10-06GM-06G	30.0	1.18	3/8 BSPP x BSPP	88.0	3.46	34.0	1.34
	SSIL-10-06NM-06N	30.0	1.18	3/8 NPTF x NPTF	88.0	3.46	34.0	1.34
12 (1/2)	SSIL-12-08GM-08G	32.0	1.26	1/2 BSPP x BSPP	101.0	3.98	36.0	1.42
	SSIL-12-08NM-08N	32.0	1.26	1/2 NPTF x NPTF	101.0	3.98	36.0	1.42
19 (3/4)	SSIL-19-12GM-12G	40.0	1.57	3/4 BSPP x BSPP	110.0	4.33	45.0	1.77
	SSIL-19-12NM-12N	40.0	1.57	3/4 NPTF x BSPP	110.0	4.33	45.0	1.77
25 (1)	SSIL-25-16GM-16G	50.0	1.97	1 BSPP x BSPP	124.0	4.88	55.0	2.17
	SSIL-25-16NM-16N	50.0	1.97	1 NPTF x NPTF	124.0	4.88	55.0	2.17
32 (1 1/4)	SSIL-32-20GM-20G	55.0	2.17	1 1/4 BSPP x BSPP	129.0	5.08	60.0	2.36
	SSIL-32-20NM-20N	55.0	2.17	1 1/4 NPTF x NPTF	129.0	5.08	60.0	2.36
40 (1 1/2)	SSIL-40-24GM-24G	68.0	2.68	1 1/2 BSPP x BSPP	138.0	5.43	75.0	2.95
	SSIL-40-24NM-24N	68.0	2.68	1 1/2 NPTF x NPTF	138.0	5.43	75.0	2.95
50 (2)	SSIL-50-32GM-32G	80.0	3.15	2 BSPP x BSPP	149.0	5.87	85.0	3.35
	SSIL-50-32NM-32N	80.0	3.15	2 NPTF x NPTF	149.0	5.87	85.0	3.35

For all other configurations or thread types please contact the sales office.