



90° flat face couplings made to the ISO 16028 Standard

H90/HQ90 Series



INTRODUCTION

Holmbury's H90 and HQ90 Series is designed for use in applications that require a 90° elbow in the hydraulic circuit, such as digger booms. The right angle design allows for easy mounting without the need for additional fittings, reducing potential leakage paths and cost.



CONSTRUCTION

- Carbon steel with zinc nickel plating (1200 hours with no red rust in salt spray tests)
- Fitted with Nitrile seals

FEATURES

- The H90 and HQ90 Series is designed to connect with the HQ and HCP Series flat face couplings
- 90° elbow incorporated into the coupling
- The HQ90 benefits from a reduced size back end, allowing installation into tighter spaces
- Flat faces are easily wiped clean
- Allows for minimal inclusion of air and contaminants during connection
- Flat face design prevents fluid loss during disconnection
- Bidirectional flow

ACCESSORIES

- Dust caps are available for the H90 and HQ90 Series

SPECIFICATIONS

- Operating temperatures (With Nitrile seals): -40°C (-40°F) to 106°C (223°F)

APPLICATIONS

- Leak free environments
- Construction attachments
- Mobile equipment
- General industrial
- Agricultural
- Skid steer loaders

H90/HQ90 PERFORMANCE CHARACTERISTICS

Body Size	H90/HQ90	
	Pressure in bar - Flow in LPM	Pressure in PSI - Flow in GPM
Maximum working pressure (Coupled)	350	5075
	Burst pressure (Coupled)	1400 / 20300
Burst pressure (Male)	1300	18850
	Burst pressure (Female)	1000 / 14500
Rated flow	45	12

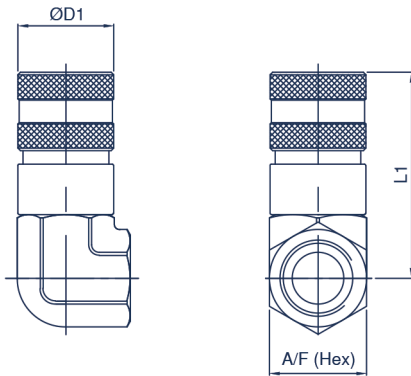
CAPS ACCESSORIES

FEMALE CAPS	MALE CAPS
HQ12-F-CAP	HQ12-M-CAP

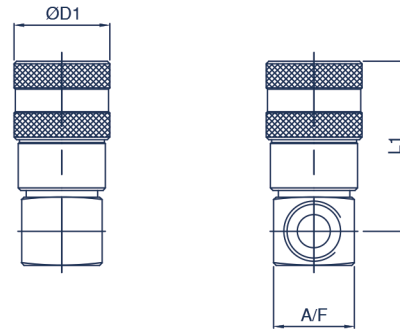
Standard colour is red pvc, other colours available upon request

H90/HQ90 Series

H90



HQ90



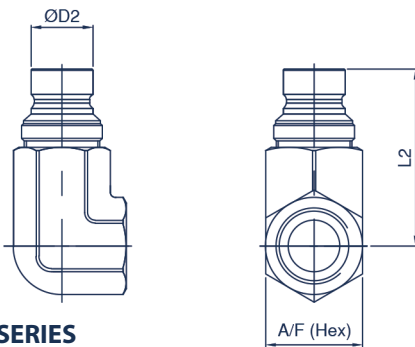
H90 FEMALE SERIES

Body Size	Part Number	Thread Size	D1		L1		A/F	
			mm	inch	mm	inch	mm	inch
12 (1/2)	H12-F-06JM-90	9/16-18 UNF	38.0	1.50	81.7	3.22	34.0	1.34
	H12-F-08S-90	3/4-16 UNF	38.0	1.50	81.7	3.22	34.0	1.34
	H12-F-12JM-90	1 1/16-12 UN	38.0	1.50	81.7	3.22	34.0	1.34

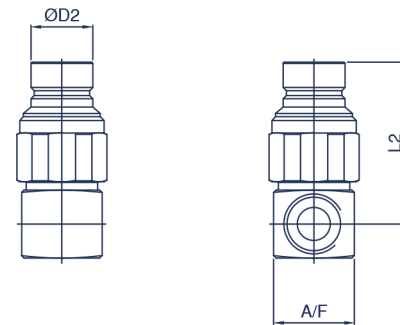
HQ90 FEMALE SERIES

Body Size	Part Number	Thread Size	D1		L1		A/F	
			mm	inch	mm	inch	mm	inch
12 (1/2)	HQ12-F-04S-90	7/16-20 UNF	38.0	1.50	64.3	2.53	32.0	1.26
	HQ12-F-06-90	9/16-18 UNF	38.0	1.50	64.3	2.53	32.0	1.26
	HQ12-F-08N-90	1/2 NPTF	38.0	1.50	70.8	2.79	32.0	1.26
	HQ12-F-08S-90	3/4-16 UNF	38.0	1.50	66.9	2.63	32.0	1.26

H90



HQ90



H90 MALE SERIES

Body Size	Part Number	Thread Size	D2		L2		A/F	
			mm	inch	mm	inch	mm	inch
12 (1/2)	H12-M-06JM-90	9/16-18 UNF	24.5	0.97	68.2	2.69	34.0	1.34
	H12-M-08S-90	3/4-16 UNF	24.5	0.97	68.2	2.69	34.0	1.34
	H12-M-12JM-90	1 1/16-12 UN	24.5	0.97	68.2	2.69	34.0	1.34

HQ90 MALE SERIES

Body Size	Part Number	Thread Size	D2		L2		A/F	
			mm	inch	mm	inch	mm	inch
12 (1/2)	HQ12-M-04S-90	7/16-20 UNF	24.5	0.97	61.0	2.40	32.0	1.26
	HQ12-M-06-90	9/16-18 UNF	24.5	0.97	61.0	2.40	32.0	1.26
	HQ12-M-08N-90	1/2 NPTF	24.5	0.97	67.9	2.67	32.0	1.26
	HQ12-M-08S-90	3/4-16 UNF	24.5	0.97	63.3	2.49	32.0	1.26

For all other configurations or thread types please contact the sales office.