



# Stainless steel general purpose screw to connect couplings made to the ISO 14541 Standard dimensions

## SHS Series



### INTRODUCTION

Holmbury's SHS Series stainless steel screw to connect couplings are designed primarily for high pressure pulse applications. They incorporate all the benefits of the carbon steel HS Series, whilst being perfectly suited for corrosive fluids and environments.



### CONSTRUCTION

- AISI 316 stainless steel (All components)
- Fitted with Viton seals (Other seals available on request)
- Also available in carbon steel (See HS Series)

### FEATURES

- Can be connected with 50 bar (735 psi) residual pressure in the hydraulic circuit
- Bidirectional flow

### ACCESSORIES

- Dust caps, plugs and seal kits are available for the SHS Series

### SPECIFICATIONS

- Operating temperatures (With Viton seals): -20°C (-4°F) to 200°C (392°F)

### APPLICATIONS

- Hydraulic jacks
- Marine
- Oil and gas

### SHS PERFORMANCE CHARACTERISTICS

Body Size	SHS04	SHS08	SHS12	SHS20	SHS25
	Pressure in bar - Flow in LPM				
	Pressure in PSI - Flow in GPM				
Maximum working pressure (Coupled)	550	550	550	500	470
	7975	7975	7975	7250	6815
Burst pressure (Coupled)	1400	1400	1400	1400	1300
	20300	20300	20300	20300	18850
Burst pressure (Male)	1400	1400	1400	1400	1300
	20300	20300	20300	20300	18850
Burst pressure (Female)	1100	1000	1000	1050	1000
	15950	14500	14500	15225	14500
Rated flow	12	23	45	100	189
	3.2	6.1	12	26.4	50

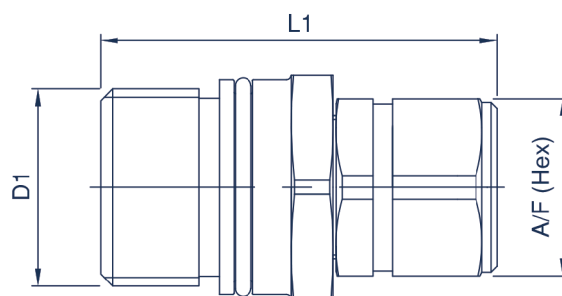
### CAPS/PLUGS ACCESSORIES

FEMALE PLUGS	MALE CAPS
SHS04-F-PLUG	SHS04-M-CAP
SHS08-F-PLUG	SHS08-M-CAP
SHS10-F-PLUG	SHS10-M-CAP
SHS12-F-PLUG	SHS12-M-CAP
SHS20-F-PLUG	SHS20-M-CAP
SHS25-F-PLUG	SHS25-M-CAP

Standard material is natural, anodized aluminium

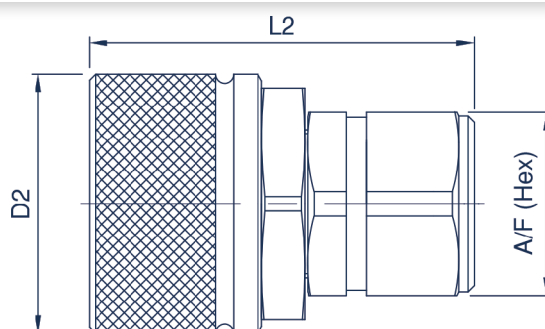
### SEAL KITS

SHS04-F-SEAL KIT
SHS08-F-SEAL KIT
SHS10-F-SEAL KIT
SHS12-F-SEAL KIT
SHS20-F-SEAL KIT
SHS25-F-SEAL KIT



## SHS FEMALE COUPLING

Body Size	Part Number	Thread Size	D1		L1		A/F	
			(Thread)	mm	inch	mm	inch	
04 (1/8)	SHS04-F-04G	1/4 BSPP	M24X2	60.0	2.36	19.0	0.75	
	SHS04-F-04N	1/4 NPTF	M24X2	60.0	2.36	19.0	0.75	
08 (5/16)	SHS08-F-04G	1/4 BSPP	M28X2	64.0	2.52	22.0	0.87	
	SHS08-F-06G	3/8 BSPP	M28X2	64.0	2.52	22.0	0.87	
	SHS08-F-06N	3/8 NPTF	M28X2	64.0	2.52	22.0	0.87	
10 (3/8)	SHS10-F-06G	3/8 BSPP	M36X2	67.0	2.64	30.0	1.18	
	SHS10-F-08G	1/2 BSPP	M36X2	67.0	2.64	30.0	1.18	
	SHS10-F-08N	1/2 NPTF	M36X2	67.0	2.64	30.0	1.18	
12 (1/2)	SHS12-F-08G	1/2 BSPP	M42X2	86.0	3.39	36.0	1.42	
	SHS12-F-12G	3/4 BSPP	M42X2	86.0	3.39	36.0	1.42	
	SHS12-F-12N	3/4 NPTF	M42X2	86.0	3.39	36.0	1.42	
20 (3/4)	SHS20-F-12G	3/4 BSPP	M48X3	98.0	3.86	41.0	1.61	
	SHS20-F-16G	1 BSPP	M48X3	98.0	3.86	41.0	1.61	
	SHS20-F-16N	1 NPTF	M48X3	98.0	3.86	41.0	1.61	
25 (1)	SHS25-F-20G	1 1/4 BSPP	M70X3	125.0	4.92	55.0	2.17	
	SHS25-F-24G	1 1/2 BSPP	M70X3	127.0	5.00	55.0	2.17	



## SHS MALE COUPLING

Body Size	Part Number	Thread Size	D2		L2		A/F	
			mm	inch	mm	inch	mm	inch
04 (1/8)	SHS04-M-04G	1/4 BSPP	35.0	1.38	59.0	2.32	19.0	0.75
	SHS04-M-04N	1/4 NPTF	35.0	1.38	59.0	2.32	19.0	0.75
08 (5/16)	SHS08-M-04G	1/4 BSPP	34.0	1.34	61.0	2.40	22.0	0.87
	SHS08-M-06G	3/8 BSPP	34.0	1.34	61.0	2.40	22.0	0.87
	SHS08-M-06N	3/8 NPTF	34.0	1.34	61.0	2.40	22.0	0.87
10 (3/8)	SHS10-M-06G	3/8 BSPP	42.1	1.66	64.0	2.52	30.0	1.18
	SHS10-M-08G	1/2 BSPP	42.1	1.66	64.0	2.52	30.0	1.18
	SHS10-M-08N	1/2 NPTF	42.1	1.66	64.0	2.52	30.0	1.18
12 (1/2)	SHS12-M-08G	1/2 BSPP	48.5	1.91	75.0	2.95	36.0	1.42
	SHS12-M-12G	3/4 BSPP	48.5	1.91	75.0	2.95	36.0	1.42
	SHS12-M-12N	3/4 NPTF	48.5	1.91	75.0	2.95	36.0	1.42
20 (3/4)	SHS20-M-12G	3/4 BSPP	55.0	2.17	81.0	3.19	41.0	1.61
	SHS20-M-16G	1 BSPP	55.0	2.17	81.0	3.19	41.0	1.61
	SHS20-M-16N	1 NPTF	55.0	2.17	81.0	3.19	41.0	1.61
25 (1)	SHS25-M-20G	1 1/4 BSPP	85.0	3.35	131.0	5.16	55.0	2.17
	SHS25-M-24G	1 1/2 BSPP	85.0	3.35	134.0	5.28	55.0	2.17

For all other configurations or thread types please contact the sales office.