



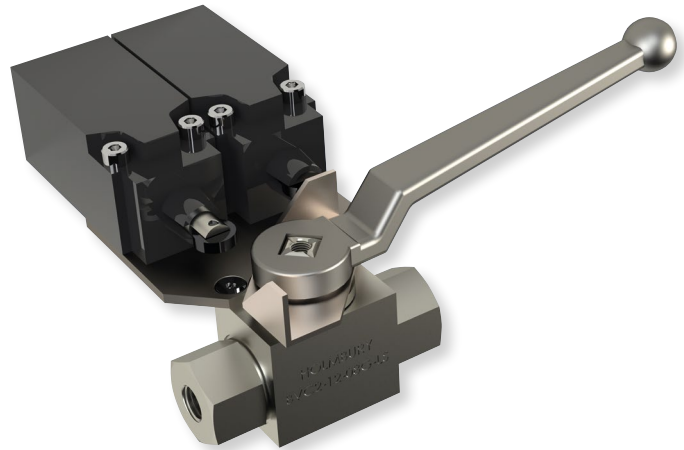
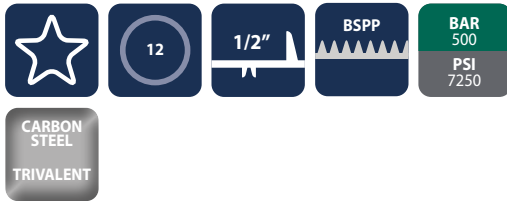
## Ball Valve with Limit Switch

### BVC2 (Limit Switch)



#### INTRODUCTION

Holmbury's BVC2 Series two-way high-pressure ball valve with an integrated positional detection device. When closed, a limit switch will send an electrical signal to a remote display to monitor the "open" or "closed" state.



#### CONSTRUCTION

- Carbon steel body with trivalent plating
- Zinc alloy handle
- Forged steel option available
- Fitted with NBR and POM seals as standard
- Also available in AISI 316 stainless steel (See BVS2 Series)

#### FEATURES

- Floating ball design maximises sealing
- Full bore valves provide unrestricted flow path for negligible pressure drop
- Open to close in 1/4 turn
- Offset handle allows clearance for easy operation
- Positional Switch: AC 380V DC 220V 5A

#### SPECIFICATIONS

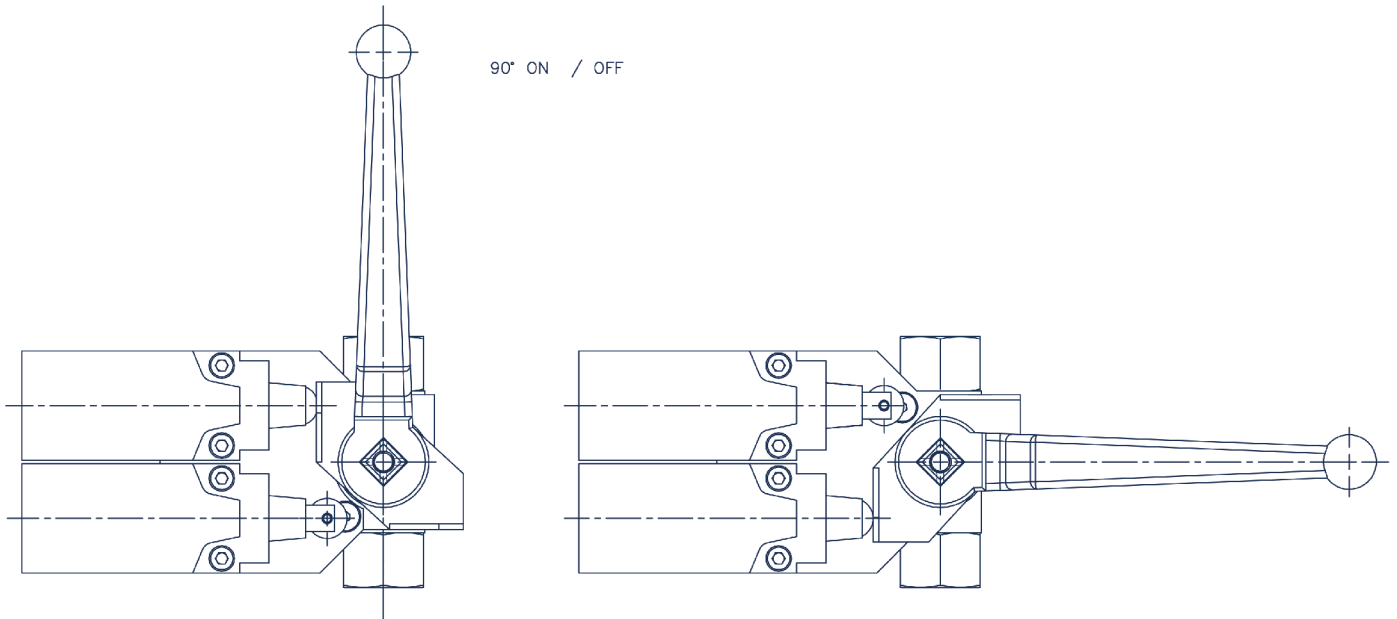
- Operating temperatures (With NBR seals): -40°C (-40°F) to 106°C (223°F)
- BVC2 - Ball Valve - Square Body (DN12)

#### APPLICATIONS

- Construction
- Mobile Hydraulics
- Test Equipment
- Machine Tools
- General Hydraulics
- Agricultural

#### BVC2 PERFORMANCE CHARACTERISTICS

Body Size	BVC212
	Pressure in bar - Flow in LPM Pressure in PSI - Flow in GPM
Maximum working pressure	500 7250
Burst pressure	2000 29000
Rated flow	45 12



### BVC2 SERIES (Limit Switch)

Body Size	Part Number	Thread Size
12 (1/2)	BVC2-12-08G-LS	1/2 BSPP

For all other configurations or thread types please contact the sales office.

