



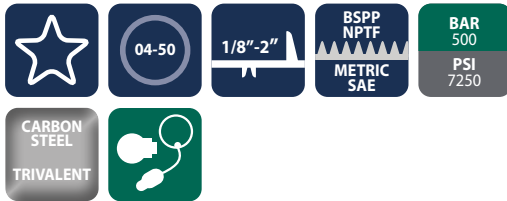
Two-way high-pressure ball valves

BVC2 Series



INTRODUCTION

Holmbury's BVC2 Series two-way high-pressure ball valves are designed to suit a wide range of applications. These valves should not be used as flow control valves and should therefore always be fully open or closed.



CONSTRUCTION

- Carbon steel body with trivalent plating
- Zinc alloy handle
- Forged steel option available
- Fitted with NBR and POM seals as standard
- Also available in AISI 316 stainless steel (See BVS2 Series)

FEATURES

- Floating ball design maximises sealing
- Full bore valves provide unrestricted flow path for negligible pressure drop
- Open to close in 1/4 turn
- Offset handle allows clearance for easy operation



ACCESSORIES

- Valve locking kits and valve handles are available for the BVC2 Series

SPECIFICATIONS

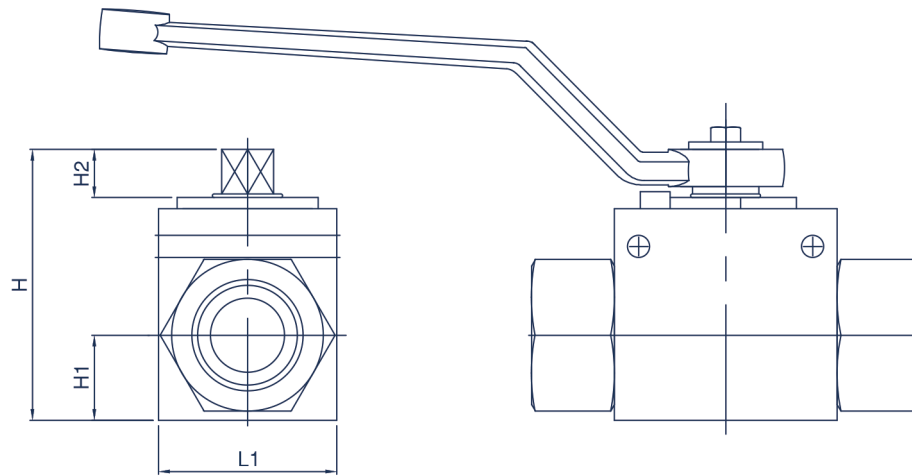
- Operating temperatures (With NBR seals): -40°C (-40°F) to 106°C (223°F)

APPLICATIONS

- Construction
- Mobile Hydraulics
- Test Equipment
- Machine Tools
- General Hydraulics
- Agricultural

BVC2 PERFORMANCE CHARACTERISTICS

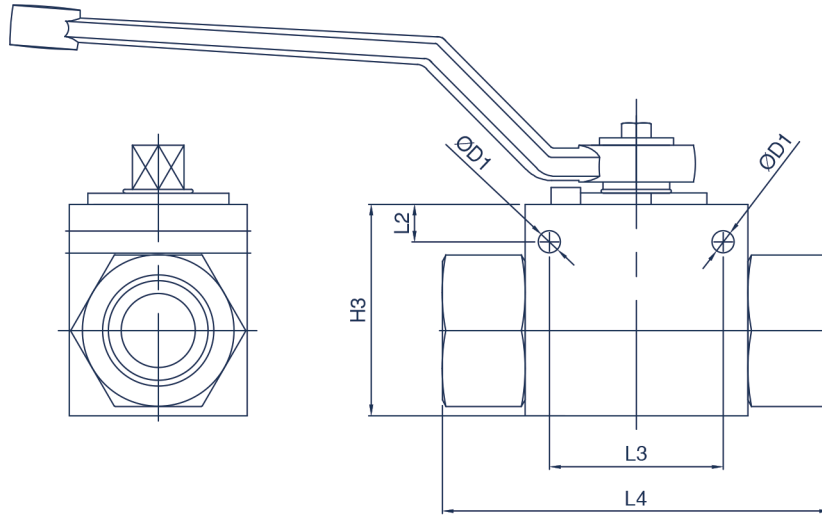
Body Size	BVC204	BVC206	BVC210	BVC212	BVC219	BVC225	BVC232	BVC240	BVC250
	Pressure in bar - Flow in LPM Pressure in PSI - Flow in GPM								
Maximum working pressure	500 7250	500 7250	500 7250	500 7250	500 7250	500 7250	350 5075	350 5075	350 5075
Burst pressure	2000 29000	2000 29000	2000 29000	2000 29000	2000 29000	2000 29000	1400 20300	1400 20300	1400 20300
Rated flow	3 0.8	12 3.2	23 6.1	45 12	100 26.4	189 50	250 66	379 100	757 200



BVC2 SERIES

Body Size	Part Number	Thread Size	H		H1		H2		L1	
			mm	inch	mm	inch	mm	inch	mm	inch
04 (1/8)	BVC2-04-02G	1/8 BSPP	44.2	1.74	13.0	0.51	8.7	0.34	28.0	1.10
	BVC2-04-02N	1/8 NPTF	44.2	1.74	13.0	0.51	8.7	0.34	28.0	1.10
06 (1/4)	BVC2-06-04G	1/4 BSPP	44.2	1.74	13.0	0.51	8.7	0.34	28.0	1.10
	BVC2-06-04N	1/4 NPTF	44.2	1.74	13.0	0.51	8.7	0.34	28.0	1.10
	BVC2-06-04S	7/16-20 UNF	44.2	1.74	13.0	0.51	8.7	0.34	28.0	1.10
10 (3/8)	BVC2-10-06G	3/8 BSPP	52.2	2.06	17.0	0.67	8.7	0.34	32.0	1.26
	BVC2-10-06N	3/8 NPTF	52.2	2.06	17.0	0.67	8.7	0.34	32.0	1.26
	BVC2-10-06S	9/16-18 UNF	52.2	2.06	17.0	0.67	8.7	0.34	32.0	1.26
12 (1/2)	BVC2-12-08G	1/2 BSPP	52.2	2.06	17.0	0.67	8.7	0.34	35.0	1.38
	BVC2-12-08N	1/2 NPTF	52.2	2.06	17.0	0.67	8.7	0.34	35.0	1.38
	BVC2-12-08S	3/4-16 UNF	52.2	2.06	17.0	0.67	8.7	0.34	35.0	1.38
19 (3/4)	BVC2-19-12G	3/4 BSPP	75.2	2.96	24.0	0.94	13.7	0.54	48.0	1.89
	BVC2-19-12N	3/4 NPTF	75.2	2.96	24.0	0.94	13.7	0.54	48.0	1.89
	BVC2-19-12S	1 1/16-12 UN	75.2	2.96	24.0	0.94	13.7	0.54	48.0	1.89
25 (1)	BVC2-25-16G	1 BSPP	82.2	3.24	28.5	1.12	13.7	0.54	57.0	2.24
	BVC2-25-16N	1 NPTF	82.2	3.24	28.5	1.12	13.7	0.54	57.0	2.24
	BVC2-25-16S	1 5/16-12 UN	82.2	3.24	28.5	1.12	13.7	0.54	57.0	2.24
32 (1 1/4)	BVC2-32-20G	1 1/4 BSPP	104.5	4.11	37.5	1.48	16.0	0.63	75.0	2.95
	BVC2-32-20N	1 1/4 NPTF	104.5	4.11	37.5	1.48	16.0	0.63	75.0	2.95
	BVC2-32-20S	1 5/8-12 UN	104.5	4.11	37.5	1.48	16.0	0.63	75.0	2.95
40 (1 1/2)	BVC2-40-24G	1 1/2 BSPP	115.5	4.55	42.5	1.67	16.0	0.63	85.0	3.35
	BVC2-40-24N	1 1/2 NPTF	115.5	4.55	42.5	1.67	16.0	0.63	85.0	3.35
	BVC2-40-24S	1 7/8-12 UN	115.5	4.55	42.5	1.67	16.0	0.63	85.0	3.35
50 (2)	BVC2-50-32G	2 BSPP	133.0	5.24	52.5	2.07	16.0	0.63	105.0	4.13
	BVC2-50-32N	2 NPTF	133.0	5.24	52.5	2.07	16.0	0.63	105.0	4.13
	BVC2-50-32S	2 1/2-12 UN	133.0	5.24	52.5	2.07	16.0	0.63	105.0	4.13

For all other configurations or thread types please contact the sales office.



BVC2 SERIES

Body Size	Part Number	Thread Size	H3		L2		D1		L3		L4	
			mm	inch	mm	inch	mm	inch	mm	inch	mm	inch
04 (1/8)	BVC2-04-02G	1/8 BSPP	32.0	1.26	5.0	0.20	4.5	0.18	26.0	1.02	69.0	2.72
	BVC2-04-02N	1/8 NPTF	32.0	1.26	5.0	0.20	4.5	0.18	26.0	1.02	69.0	2.72
06 (1/4)	BVC2-06-04G	1/4 BSPP	32.0	1.26	5.0	0.20	4.5	0.18	26.0	1.02	69.0	2.72
	BVC2-06-04N	1/4 NPTF	32.0	1.26	5.0	0.20	4.5	0.18	26.0	1.02	69.0	2.72
	BVC2-06-04S	7/16-20 UNF	32.0	1.26	5.0	0.20	4.5	0.18	26.0	1.02	69.0	2.72
10 (3/8)	BVC2-10-06G	3/8 BSPP	40.0	1.57	5.0	0.20	6.5	0.26	32.0	1.26	72.0	2.83
	BVC2-10-06N	3/8 NPTF	40.0	1.57	5.0	0.20	6.5	0.26	32.0	1.26	72.0	2.83
	BVC2-10-06S	9/16-18 UNF	40.0	1.57	5.0	0.20	6.5	0.26	32.0	1.26	72.0	2.83
12 (1/2)	BVC2-12-08G	1/2 BSPP	40.0	1.57	4.8	0.19	6.5	0.26	37.5	1.48	83.0	3.27
	BVC2-12-08N	1/2 NPTF	40.0	1.57	4.8	0.19	6.5	0.26	37.5	1.48	83.0	3.27
	BVC2-12-08S	3/4-16 UNF	40.0	1.57	4.8	0.19	6.5	0.26	37.5	1.48	83.0	3.27
19 (3/4)	BVC2-19-12G	3/4 BSPP	57.0	2.24	6.5	0.26	6.5	0.26	45.0	1.77	95.0	3.74
	BVC2-19-12N	3/4 NPTF	57.0	2.24	6.5	0.26	6.5	0.26	45.0	1.77	95.0	3.74
	BVC2-19-12S	1 1/16-12 UN	57.0	2.24	6.5	0.26	6.5	0.26	45.0	1.77	95.0	3.74
25 (1)	BVC2-25-16G	1 BSPP	64.0	2.52	6.0	0.24	6.7	0.26	55.0	2.17	113.0	4.45
	BVC2-25-16N	1 NPTF	64.0	2.52	6.0	0.24	6.7	0.26	55.0	2.17	113.0	4.45
	BVC2-25-16S	1 5/16-12 UN	64.0	2.52	6.0	0.24	6.7	0.26	55.0	2.17	113.0	4.45
32 (1 1/4)	BVC2-32-20G	1 1/4 BSPP	84.0	3.31	9.0	0.35	10.8	0.43	66.0	2.60	110.0	4.33
	BVC2-32-20N	1 1/4 NPTF	84.0	3.31	9.0	0.35	10.8	0.43	66.0	2.60	110.0	4.33
	BVC2-32-20S	1 5/8-12 UN	84.0	3.31	9.0	0.35	10.8	0.43	66.0	2.60	110.0	4.33
40 (1 1/2)	BVC2-40-24G	1 1/2 BSPP	95.0	3.74	9.0	0.35	10.8	0.43	72.0	2.83	130.0	5.12
	BVC2-40-24N	1 1/2 NPTF	95.0	3.74	9.0	0.35	10.8	0.43	72.0	2.83	130.0	5.12
	BVC2-40-24S	1 7/8-12 UN	95.0	3.74	9.0	0.35	10.8	0.43	72.0	2.83	130.0	5.12
50 (2)	BVC2-50-32G	2 BSPP	112.5	4.43	9.0	0.35	10.8	0.43	80.0	3.15	140.0	5.51
	BVC2-50-32N	2 NPTF	112.5	4.43	9.0	0.35	10.8	0.43	80.0	3.15	140.0	5.51
	BVC2-50-32S	2 1/2-12 UN	112.5	4.43	9.0	0.35	10.8	0.43	80.0	3.15	140.0	5.51

For all other configurations or thread types please contact the sales office.