



High pressure flat face couplings fitted with a safety locking sleeve

HP Series



INTRODUCTION

Holmbury's HP Series flat face couplings provide a leak free solution for high pressure applications up to 720 bar (10440 psi). The safety locking sleeve prevents accidental disconnection and can only be disconnected when the release notch and locking ball align.

* Not interchangeable with the Holmbury HQ range, ISO 16028 couplings or those of another manufacturer



CONSTRUCTION

- Carbon steel with zinc nickel plating (1200 hours with no red rust in salt spray tests)
- Fitted with NBR seals

FEATURES

- Spring loaded safety locking sleeve fitted to prevent accidental disconnection, which automatically rotates through 90° when connected
- Flat faces are easily wiped clean
- Allows for minimal inclusion of air and contaminants during connection
- Flat face design prevents fluid loss during disconnection
- Bidirectional flow

ACCESSORIES

- Not applicable

SPECIFICATIONS

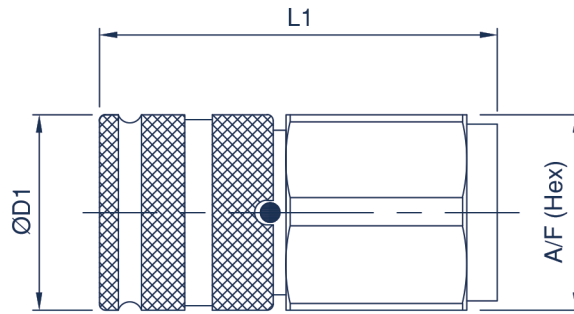
- Operating temperatures (With NBR seals): -40°C (-40°F) to 106°C (223°F)

APPLICATIONS

- Rail industries; especially on de-stressing kits
- Bolt tensioning
- Cutting tools
- Jacking applications
- Leak free environments
- High pressure plant and equipment
- High pressure pulse applications

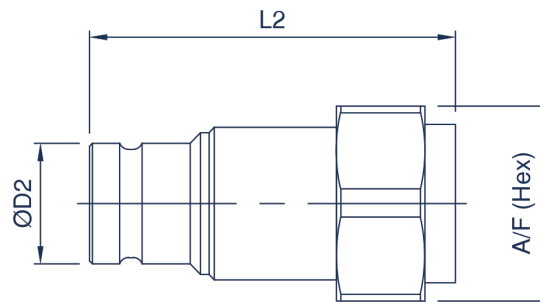
HP PERFORMANCE CHARACTERISTICS

Body Size	HP10	
	Pressure in bar - Flow in LPM	Pressure in PSI - Flow in GPM
Maximum working pressure (Coupled)	720	10440
Burst pressure (Coupled)	2000	29000
Burst pressure (Male)	2000	29000
Burst pressure (Female)	1500	21750
Rated flow	23	6



HP FEMALE COUPLING

Body Size	Part Number	Thread Size	D1		L1		A/F	
			mm	inch	mm	inch	mm	inch
10 (3/8)	HP10-F-06N	3/8 NPTF	34.0	1.34	70.0	1.34	30.0	1.18



HP MALE COUPLING

Body Size	Part Number	Thread Size	D2		L2		A/F	
			mm	inch	mm	inch	mm	inch
10 (3/8)	HP10-M-06N	3/8 NPTF	19.5	0.77	60.00	2.36	27.0	1.06

For all other configurations or thread types please contact the sales office.