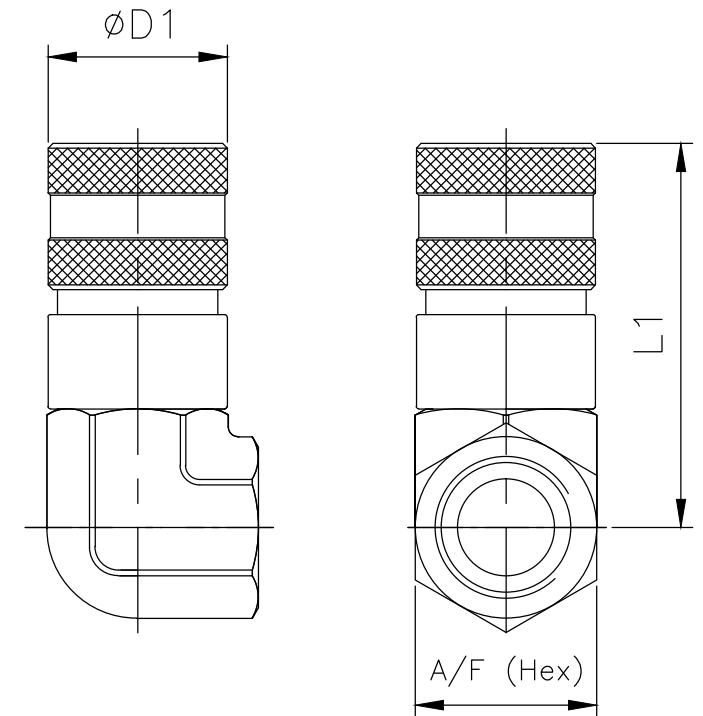


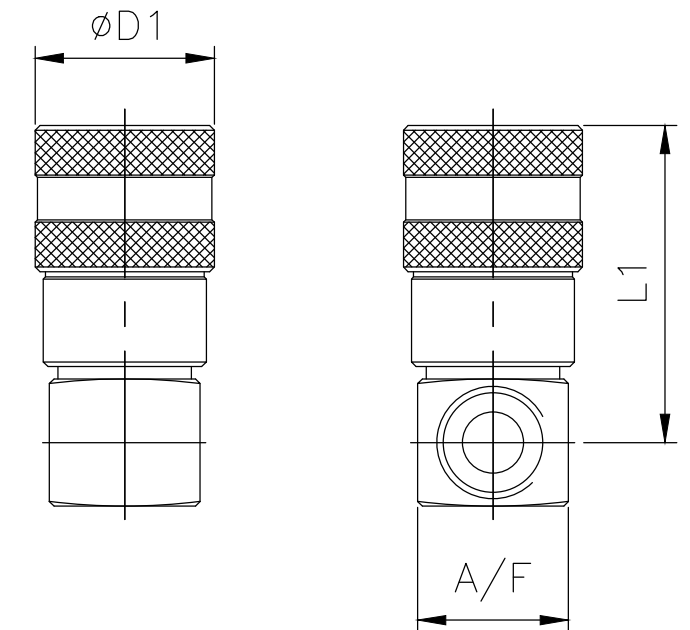
Female H90 Series

Drawing Number	Body Size	Part Number	Thread Size	L1		D1		A/F	
				(mm)	(Inch)	(mm)	(Inch)	(mm)	(Inch)
H10061-1	12	H12-F-06JM-90	9/16-18 UNF	81.69	3.22	38.00	1.50	34.00	1.34
H10061-2		H12-F-08S-90	3/4-16 UNF	81.69	3.22	38.00	1.50	34.00	1.34
H10061-3		H12-F-12JM-90	1 1/16 UN	81.69	3.22	38.00	1.50	34.00	1.34



Female HQ90 Series

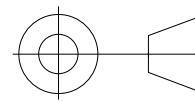
Drawing Number	Body Size	Part Number	Thread Size	L1		D1		A/F	
				(mm)	(Inch)	(mm)	(Inch)	(mm)	(Inch)
H10061-4	12	HQ12-F-04S-90	7/16-20 UNF	64.31	2.53	38.00	1.50	32.00	1.26
H10061-5		HQ12-F-06-90	9/16-18 UNF	64.31	2.53	38.00	1.50	32.00	1.26
H10061-6		HQ12-F-08N-90	3/4-16 NPTF	70.84	2.79	38.00	1.50	32.00	1.26
H10061-7		HQ12-F-08S-90	3/4-16 UNF	66.85	2.63	38.00	1.50	32.00	1.26



ISSUE NUMBER	DESCRIPTION	DATE	APPROVED
A	ORIGINAL	19/02/21	JF

REVISIONS

ALL DIMENSIONS IN MM UNLESS OTHERWISE STATED
REMOVE BURRS AND SHARP EDGES
A RADIUS OR CHAMFER OF 0.2 (MAX) IS PERMITTED IN CORNERS UNLESS STATED
DRAWING PROCEDURE TO BS8888



SHEET NUMBER
1 OF 1

PROTECTIVE FINISH
Trivalent
MATERIAL
Body: Carbon Steel
Seals: NBR

GENERAL TOLERANCE
 ± 0.1
UNLESS STATED
SCALE 2:1
SURFACE ROUGHNESS 3.2 UNLESS STATED

DRAWN BY DATE
G.Moore 19/02/21
CHECKED BY DATE
J.Jarvis 19/02/21
APPROVED BY DATE
J.French 19/02/21

The copyright of this document is vested solely in Holmbury Ltd. Reproduction of this document, in whole or in part, is prohibited other than with the express permission of the above company.
©HOLMBURY LTD 1999
TITLE
H90 & HQ90 Series - Female



HOLMBURY GROUP
Premier House, 1 Vale Rise,
Tonbridge, Kent, TN9 1TB, UK
www.holmbury.com
Tel: +0044 1732 378 912
sales@holmbury.com

DRAWING NO
H10061
ISSUE NO
A