



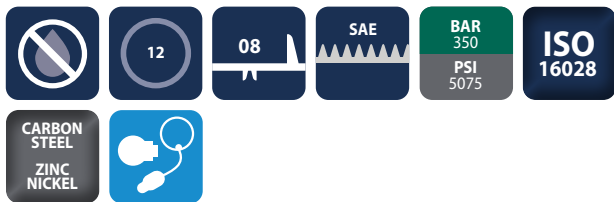
Flat face 45° couplings made to the ISO 16028 Standard

H45 Series



INTRODUCTION

Holmbury's H45 Series is designed for use in applications that require a 45° elbow in the hydraulic circuit, such as digger booms. The angled design allows for easy mounting without the need for additional fittings, reducing potential leakage paths and cost.



CONSTRUCTION

- Carbon steel with zinc nickel plating (1200 hours with no red rust in salt spray tests)
- Fitted with NBR seals

FEATURES

- The H45 Series is designed to connect with the HQ and HCP Series flat face couplings
- Flat faces are easily wiped clean
- Allows for minimal inclusion of air and contaminants during connection
- Flat face design prevents fluid loss during disconnection
- Bidirectional flow

ACCESSORIES

- Dust caps are available for the H45 Series

SPECIFICATIONS

- Operating temperatures (With NBR seals): -40°C (-40°F) to 106°C (223°F)

APPLICATIONS

- High pressure pulse applications
- Leak free environments
- Construction plant
- Mobile equipment
- General industrial
- Agricultural
- Skid steer loaders

H45 PERFORMANCE CHARACTERISTICS

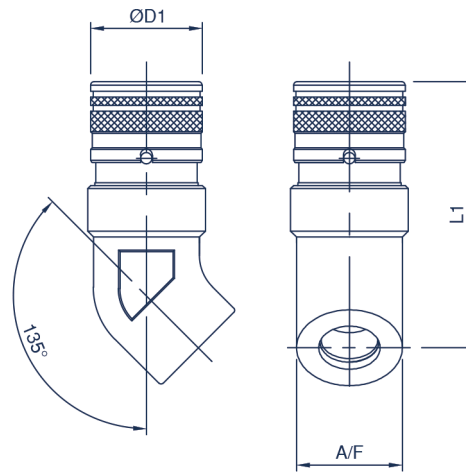
Body Size	H4512	
	Pressure in bar - Flow in LPM	Pressure in PSI - Flow in GPM
Maximum working pressure (Coupled)	350	5075
Burst pressure (Coupled)	1400	20300
Burst pressure (Male)	1300	18850
Burst pressure (Female)	1000	14500
Rated flow	45	12

CAPS ACCESSORIES

FEMALE CAPS	MALE CAPS
HQ12-F-CAP	HQ12-M-CAP

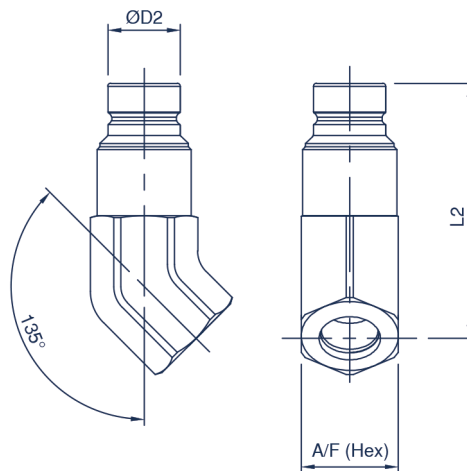
Standard colour is red pvc, other colours available upon request

H45 Series



H45 FEMALE COUPLING

Body Size	Part Number	Thread Size	D1		L1		A/F	
			mm	inch	mm	inch	mm	inch
12 (1/2)	H12-F-08S-45	3/4-16 UNF	38.0	1.50	72.8	2.87	36.0	1.42



H45 MALE COUPLING

Body Size	Part Number	Thread Size	D2		L2		A/F	
			mm	inch	mm	inch	mm	inch
12 (1/2)	H12-M-08S-45	3/4-16 UNF	24.5	0.97	69.0	2.72	33.0	1.30

Other thread sizes and configurations available on request