



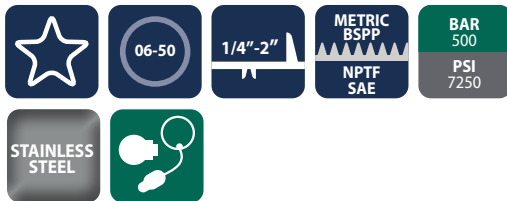
Stainless steel two-way high-pressure ball valves

BVS2 Series



INTRODUCTION

Holmbury's BVS2 Series two-way stainless steel, high-pressure ball valves are designed to suit a wide range of applications. These valves should not be used as flow control valves and should therefore always be fully open or closed.



CONSTRUCTION

- AISI 316 stainless steel body (Some internal components carbon steel)
- Zinc alloy handle
- Forged steel option available
- Fitted with Viton and POM seals as standard
- Also available in carbon steel (See BVC2 Series)
- Metric and flanged available on request

FEATURES

- Floating ball design maximises sealing
- Full bore valves provide unrestricted flow path for negligible pressure drop
- Open to close in 1/4 turn
- Offset handle allows clearance for easy operation and handles can be replaced

ACCESSORIES

- Valve locking kits and valve handles are available for the BVS2 Series

SPECIFICATIONS

- Operating temperatures (With Viton seals): -20°C (-4°F) to 200°C (392°F)

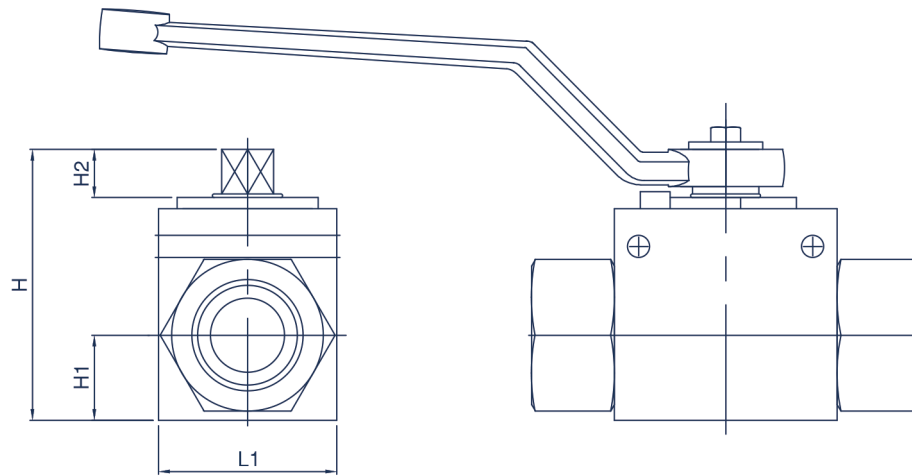
APPLICATIONS

- Marine
- Offshore/onshore
- Pharmaceutical
- Power generation and offshore industries

BVS2 PERFORMANCE CHARACTERISTICS

Body Size	BVS2-04	BVS2-06	BVS2-10	BVS2-12	BVS2-19	BVS2-25	BVS2-32	BVS2-40	BVS2-50
	Pressure in bar - Flow in LPM Pressure in PSI - Flow in GPM								
Maximum working pressure	500 7250	500 7250	500 7250	500 7250	315 4568	315 4568	315 4568	315 4568	315 4568
Burst pressure	2000 29000	2000 29000	2000 29000	2000 29000	1260 18270	1260 18270	1260 18270	1260 18270	1260 18270
Rated flow	3 0.8	12 3.2	23 6.1	45 12	100 26.4	189 50	250 66	379 100	757 200

BVS2 Series



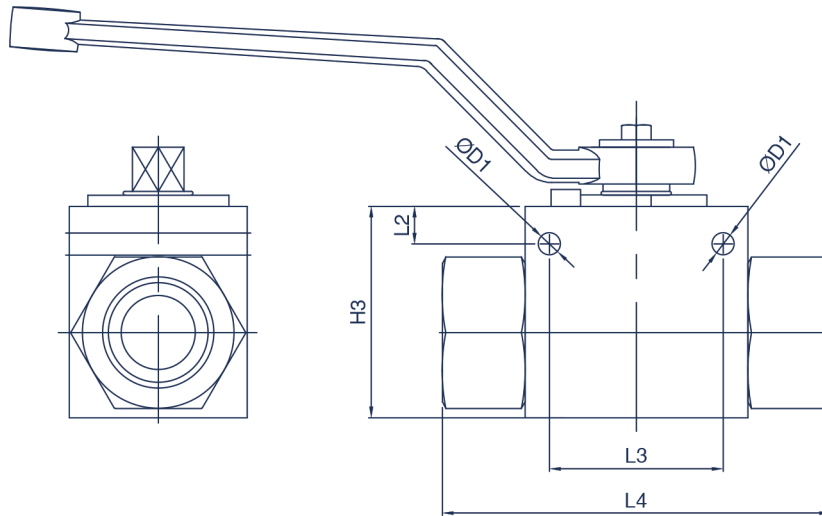
BVS2 SERIES

Body Size	Part Number	Thread Size	H		H1		H2		L1	
			mm	inch	mm	inch	mm	inch	mm	inch
04 (1/8)	BVS2-04-02G	1/8 BSPP	44.2	1.74	13.0	0.51	8.7	0.34	28.0	1.10
	BVS2-04-02N	1/8 NPTF	44.2	1.74	13.0	0.51	8.7	0.34	28.0	1.10
06 (1/4)	BVS2-06-04G	1/4 BSPP	44.2	1.74	13.0	0.51	8.7	0.34	28.0	1.10
	BVS2-06-04N	1/4 NPTF	44.2	1.74	13.0	0.51	8.7	0.34	28.0	1.10
	BVS2-06-04S	7/16-20 UNF	44.2	1.74	13.0	0.51	8.7	0.34	28.0	1.10
10 (3/8)	BVS2-10-06G	3/8 BSPP	52.2	2.06	17.0	0.67	8.7	0.34	32.0	1.26
	BVS2-10-06N	3/8 NPTF	52.2	2.06	17.0	0.67	8.7	0.34	32.0	1.26
	BVS2-10-06S	9/16-18 UNF	52.2	2.06	17.0	0.67	8.7	0.34	32.0	1.26
12 (1/2)	BVS2-12-08G	1/2 BSPP	52.2	2.06	17.0	0.67	8.7	0.34	35.0	1.38
	BVS2-12-08N	1/2 NPTF	52.2	2.06	17.0	0.67	8.7	0.34	35.0	1.38
	BVS2-12-08S	3/4-16 UNF	52.2	2.06	17.0	0.67	8.7	0.34	35.0	1.38
19 (3/4)	BVS2-19-12G	3/4 BSPP	75.2	2.96	24.0	0.94	13.7	0.54	48.0	1.89
	BVS2-19-12N	3/4 NPTF	75.2	2.96	24.0	0.94	13.7	0.54	48.0	1.89
	BVS2-19-12S	1 1/16-12 UN	75.2	2.96	24.0	0.94	13.7	0.54	48.0	1.89
25 (1)	BVS2-25-16G	1 BSPP	82.2	3.24	28.5	1.12	13.7	0.54	57.0	2.24
	BVS2-25-16N	1 NPTF	82.2	3.24	28.5	1.12	13.7	0.54	57.0	2.24
	BVS2-25-16S	1 5/16-12 UN	82.2	3.24	28.5	1.12	13.7	0.54	57.0	2.24
32 (1 1/4)	BVS2-32-20G	1 1/4 BSPP	104.5	4.11	37.5	1.48	16.0	0.63	75.0	2.95
	BVS2-32-20N	1 1/4 NPTF	104.5	4.11	37.5	1.48	16.0	0.63	75.0	2.95
	BVS2-32-20S	1 5/8-12 UN	104.5	4.11	37.5	1.48	16.0	0.63	75.0	2.95
40 (1 1/2)	BVS2-40-24G	1 1/2 BSPP	115.5	4.55	42.5	1.67	16.0	0.63	85.0	3.35
	BVS2-40-24N	1 1/2 NPTF	115.5	4.55	42.5	1.67	16.0	0.63	85.0	3.35
	BVS2-40-24S	1 7/8-12 UN	115.5	4.55	42.5	1.67	16.0	0.63	85.0	3.35
50 (2)	BVS2-50-32G	2 BSPP	133.0	5.24	52.5	2.07	16.0	0.63	105.0	4.13
	BVS2-50-32N	2 NPTF	133.0	5.24	52.5	2.07	16.0	0.63	105.0	4.13
	BVS2-50-32S	2 1/2-12 UN	133.0	5.24	52.5	2.07	16.0	0.63	105.0	4.13

For all other configurations or thread types please contact the sales office.



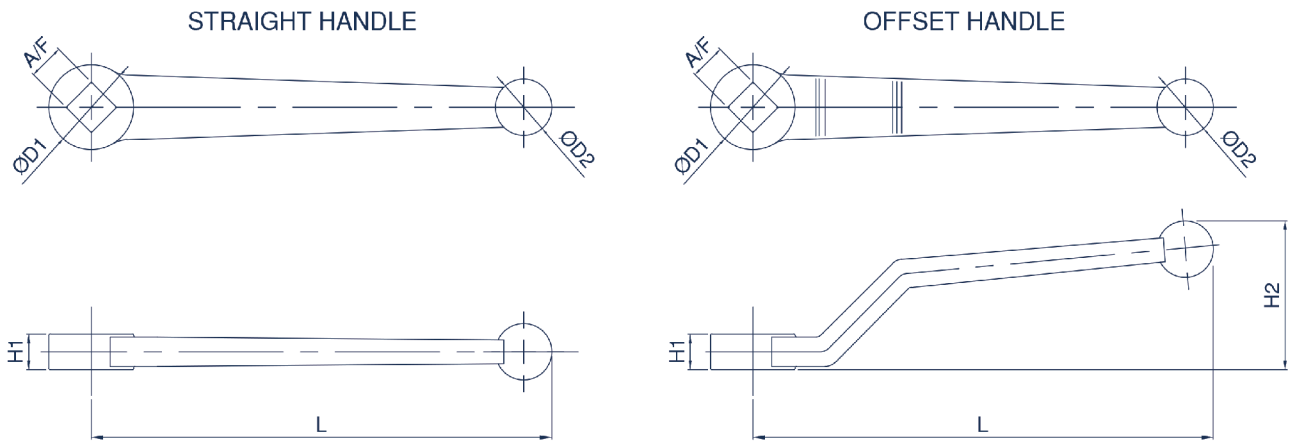
Stainless steel two-way high-pressure ball valves



BVS2 SERIES

Body Size	Part Number	Thread Size	H3		L2		D1		L3		L4	
			mm	inch	mm	inch	mm	inch	mm	inch	mm	inch
04 (1/8)	BVS2-04-02G	1/8 BSPP	32.0	1.26	5.0	0.20	4.5	0.18	26.0	1.02	69.0	2.72
	BVS2-04-02N	1/8 NPTF	32.0	1.26	5.0	0.20	4.5	0.18	26.0	1.02	69.0	2.72
06 (1/4)	BVS2-06-04G	1/4 BSPP	32.0	1.26	5.0	0.20	4.5	0.18	26.0	1.02	69.0	2.72
	BVS2-06-04N	1/4 NPTF	32.0	1.26	5.0	0.20	4.5	0.18	26.0	1.02	69.0	2.72
	BVS2-06-04S	7/16-20 UNF	32.0	1.26	5.0	0.20	4.5	0.18	26.0	1.02	69.0	2.72
10 (3/8)	BVS2-10-06G	3/8 BSPP	40.0	1.57	5.0	0.20	6.5	0.26	32.0	1.26	72.0	2.83
	BVS2-10-06N	3/8 NPTF	40.0	1.57	5.0	0.20	6.5	0.26	32.0	1.26	72.0	2.83
	BVS2-10-06S	9/16-18 UNF	40.0	1.57	5.0	0.20	6.5	0.26	32.0	1.26	72.0	2.83
12 (1/2)	BVS2-12-08G	1/2 BSPP	40.0	1.57	4.8	0.19	6.5	0.26	37.5	1.48	83.0	3.27
	BVS2-12-08N	1/2 NPTF	40.0	1.57	4.8	0.19	6.5	0.26	37.5	1.48	83.0	3.27
	BVS2-12-08S	3/4-16 UNF	40.0	1.57	4.8	0.19	6.5	0.26	37.5	1.48	83.0	3.27
19 (3/4)	BVS2-19-12G	3/4 BSPP	57.0	2.24	6.5	0.26	6.5	0.26	45.0	1.77	95.0	3.74
	BVS2-19-12N	3/4 NPTF	57.0	2.24	6.5	0.26	6.5	0.26	45.0	1.77	95.0	3.74
	BVS2-19-12S	1 1/16-12 UN	57.0	2.24	6.5	0.26	6.5	0.26	45.0	1.77	95.0	3.74
25 (1)	BVS2-25-16G	1 BSPP	64.0	2.52	6.0	0.24	6.7	0.26	55.0	2.17	113.0	4.45
	BVS2-25-16N	1 NPTF	64.0	2.52	6.0	0.24	6.7	0.26	55.0	2.17	113.0	4.45
	BVS2-25-16S	1 5/16-12 UN	64.0	2.52	6.0	0.24	6.7	0.26	55.0	2.17	113.0	4.45
32 (1 1/4)	BVS2-32-20G	1 1/4 BSPP	84.0	3.31	9.0	0.35	10.8	0.43	66.0	2.60	110.0	4.33
	BVS2-32-20N	1 1/4 NPTF	84.0	3.31	9.0	0.35	10.8	0.43	66.0	2.60	110.0	4.33
	BVS2-32-20S	1 5/8-12 UN	84.0	3.31	9.0	0.35	10.8	0.43	66.0	2.60	110.0	4.33
40 (1 1/2)	BVS2-40-24G	1 1/2 BSPP	95.0	3.74	9.0	0.35	10.8	0.43	72.0	2.83	130.0	5.12
	BVS2-40-24N	1 1/2 NPTF	95.0	3.74	9.0	0.35	10.8	0.43	72.0	2.83	130.0	5.12
	BVS2-40-24S	1 7/8-12 UN	95.0	3.74	9.0	0.35	10.8	0.43	72.0	2.83	130.0	5.12
50 (2)	BVS2-50-32G	2 BSPP	112.5	4.43	9.0	0.35	10.8	0.43	80.0	3.15	140.0	5.51
	BVS2-50-32N	2 NPTF	112.5	4.43	9.0	0.35	10.8	0.43	80.0	3.15	140.0	5.51
	BVS2-50-32S	2 1/2-12 UN	112.5	4.43	9.0	0.35	10.8	0.43	80.0	3.15	140.0	5.51

For all other configurations or thread types please contact the sales office.



REPLACEMENT VALVE HANDLE OPTIONS

Valve Size	Replacement Handle Option	D1		A/F		D2		H1		L		H2	
		mm	inch	mm	inch	mm	inch	mm	inch	mm	inch	mm	inch
4-12	SW9 Code 04	25.0	0.98	9.0	0.35	15.0	0.59	8.5	0.33	120.0	4.72	35.0	1.38
	SW9 Code 05	24.0	0.94	9.0	0.35	16.0	0.63	8.5	0.33	145.0	5.71	NA	NA
	SW9 Code 06	26.0	1.02	9.0	0.35	16.0	0.63	8.5	0.33	130.0	5.12	38.0	1.50
19-40	SW14 Code 04	32.0	1.26	14.0	0.55	20.5	0.81	13.0	0.51	170.0	6.69	55.0	2.17
	SW14 Code 05	32.0	1.26	14.0	0.55	21.0	0.83	13.0	0.51	200.0	7.87	NA	NA
	SW14 Code 06	33.0	1.30	14.0	0.55	21.0	0.83	13.0	0.51	181.0	7.13	61.0	2.40
50	SW17 Code 05	36.0	1.42	17.0	0.67	24.0	0.94	15.0	0.59	260.0	10.24	NA	NA
	SW17 Code 06	36.0	1.42	17.0	0.67	24.0	0.94	15.0	0.59	235.0	9.25	75.0	2.95

OPTIONAL HANDLES

OPTIONAL LOCKING DEVICES

	Part number	Material	Part number	Material
A/F 9	SW9 Code 04	Zinc Alloy, Offset Handle	DS9	Zinc Alloy, Offset Handle
	SW9 Code 05	Forged Steel, Straight Handle		
	SW9 Code 06	Forged Steel, Offset Handle		
A/F 14	SW14 Code 04	Zinc Alloy, Offset Handle	DS14	Zinc Alloy, Offset Handle
	SW14 Code 05	Forged Steel, Straight Handle		
	SW14 Code 06	Forged Steel, Offset Handle		
A/F 17	SW17 Code 05	Forged Steel, Straight Handle	DS17	Forged Steel, Straight Handle
	SW17 Code 06	Forged Steel, Offset Handle		