



Poppet style couplings with a guided poppet

HTN Series



INTRODUCTION

Holmbury's HTN Series poppet style couplings are a reliable and efficient option for use across a wide range of hydraulic applications.



CONSTRUCTION

- Carbon steel with trivalent plating
- Also available in brass (HTNB), FKM seals
- Also available in AISI 316 stainless steel (HTNS), FKM seals
- Fitted with NBR seals

FEATURES

- Poppet style minimises pressure drop and creates an effective seal whilst allowing high flow rates
- Elongated nose and poppet design allows for simple connection and disconnection
- Bidirectional flow

ACCESSORIES

- Dust caps, plugs and seal kits are available for the HTN Series

SPECIFICATIONS

- Operating temperatures (with NBR seals): -40°C (-40°F) to 106°C (223°F)

APPLICATIONS

- General hydraulic systems
- Machine tools
- Test equipment
- Agricultural
- Mobile hydraulics

HTN PERFORMANCE CHARACTERISTICS

Body Size	HTN06	HTN10	HTN12	HTN19	HTN25	HTN32	HTN40	HTN50
	Pressure in bar - Flow in LPM							
	Pressure in PSI - Flow in GPM							
Maximum working pressure (Coupled)	450 6527	350 5076	300 4351	250 3626	200 2901	150 2176	130 1885	100 1450
Burst pressure (Coupled)	1350 19580	1050 15229	900 13053	750 10878	600 8702	450 6527	390 5656	300 4351
Burst pressure (Male)	1350 19580	1050 15229	900 13053	750 10878	600 8702	450 6527	390 5656	300 4351
Burst pressure (Female)	1250 18130	950 13779	800 11603	650 9427	500 7252	350 5076	290 4206	200 2901
Rated flow	3 0.8	23 6.1	45 12	106 28	189 50	288 76	379 100	757 200

Contact sales for HTNB & HTNS performance characteristics

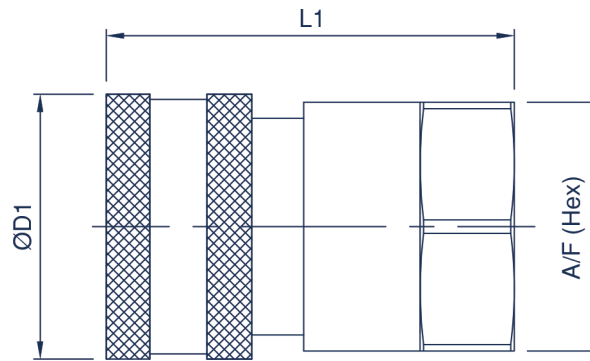
CAPS/PLUGS ACCESSORIES

FEMALE PLUGS	MALE CAPS
HTN06-F-PLUG	HTN06-M-CAP
HTN10-F-PLUG	HTN10-M-CAP
HTN12-F-PLUG	HTN12-M-CAP
HTN19-F-PLUG	HTN19-M-CAP
HTN25-F-PLUG	HTN25-M-CAP

Standard colour is black pvc

SEAL KITS

HTN06-F-SEAL KIT
HTN10-F-SEAL KIT
HTN12-F-SEAL KIT
HTN19-F-SEAL KIT
HTN25-F-SEAL KIT
HTN32-F-SEAL KIT
HTN40-F-SEAL KIT
HTN50-F-SEAL KIT

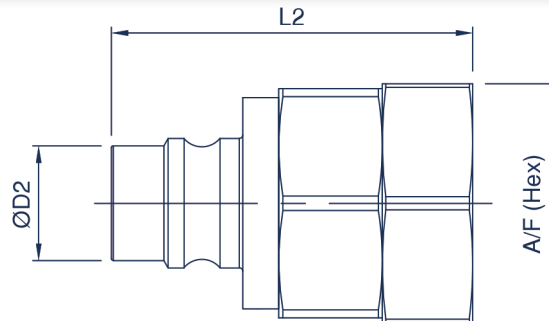


HTN FEMALE COUPLING

Body Size	Part Number	Thread Size	D1		L1		A/F	
			mm	inch	mm	inch	mm	inch
06 (1/4)	HTN06-F-04G	1/4 BSPP	24.0	0.94	44.0	1.73	22.0	0.87
	HTN06-F-04N	1/4 NPTF	24.0	0.94	44.0	1.73	22.0	0.87
10 (3/8)	HTN10-F-06G	3/8 BSPP	27.0	1.06	49.4	1.94	26.0	1.02
	HTN10-F-06N	3/8 NPTF	27.0	1.06	49.4	1.94	26.0	1.02
12 (1/2)	HTN12-F-08G	1/2 BSPP	34.0	1.34	53.5	2.11	30.0	1.18
	HTN12-F-08N	1/2 NPTF	34.0	1.34	53.5	2.11	30.0	1.18
19 (3/4)	HTN19-F-12G	3/4 BSPP	42.0	1.65	63.0	2.48	38.0	1.50
	HTN19-F-12N	3/4 NPTF	42.0	1.65	63.0	2.48	38.0	1.50
25 (1)	HTN25-F-16G	1 BSPP	50.5	1.99	68.3	2.69	48.0	1.89
	HTN25-F-16N	1 NPTF	50.5	1.99	68.3	2.69	48.0	1.89
32 (1 1/4)	HTN32-F-20G	1 1/4 BSPP	56.0	2.20	91.0	3.58	50.0	1.97
	HTN32-F-20N	1 1/4 NPTF	56.0	2.20	91.0	3.58	50.0	1.97
40 (1 1/2)	HTN40-F-24G	1 1/2 BSPP	70.0	2.76	90.0	3.54	64.0	2.52
	HTN40-F-24N	1 1/2 NPTF	70.0	2.76	90.0	3.54	64.0	2.52
50 (2)	HTN50-F-32G	2 BSPP	90.0	3.54	105.0	4.13	89.0	3.50
	HTN50-F-32N	2 NPTF	90.0	3.54	105.0	4.13	89.0	3.50

Note: a valveless version is available upon request (add VL to part number).

For all other configurations or thread types please contact the sales office.



HTN MALE COUPLING

Body Size	Part Number	Thread Size	D2		L2		A/F	
			mm	inch	mm	inch	mm	inch
06 (1/4)	HTN06-M-04G	1/4 BSPP	10.9	0.43	41.3	1.63	22.0	0.87
	HTN06-M-04N	1/4 NPTF	10.9	0.43	41.3	1.63	22.0	0.87
10 (3/8)	HTN10-M-06G	3/8 BSPP	12.9	0.51	47.0	1.85	26.0	1.02
	HTN10-M-06N	3/8 NPTF	12.9	0.51	47.0	1.85	26.0	1.02
12 (1/2)	HTN12-M-08G	1/2 BSPP	15.9	0.63	51.0	2.01	30.0	1.18
	HTN12-M-08N	1/2 NPTF	15.9	0.63	51.0	2.01	30.0	1.18
19 (3/4)	HTN19-M-12G	3/4 BSPP	23.4	0.92	62.0	2.44	38.0	1.50
	HTN19-M-12N	3/4 NPTF	23.4	0.92	62.0	2.44	38.0	1.50
25 (1)	HTN25-M-16G	1 BSPP	29.7	1.17	66.8	2.63	48.0	1.89
	HTN25-M-16N	1 NPTF	29.7	1.17	66.8	2.63	48.0	1.89
32 (1 1/4)	HTN32-M-20G	1 1/4 BSPP	36.1	1.42	88.0	3.46	50.0	1.97
	HTN32-M-20N	1 1/4 NPTF	36.1	1.42	88.0	3.46	50.0	1.97
40 (1 1/2)	HTN40-M-24G	1 1/2 BSPP	43.3	1.70	85.6	3.37	64.0	2.52
	HTN40-M-24N	1 1/2 NPTF	43.3	1.70	85.6	3.37	64.0	2.52
50 (2)	HTN50-M-32G	2 BSPP	56.7	2.23	99.0	3.90	89.0	3.50
	HTN50-M-32N	2 NPTF	56.7	2.23	99.0	3.90	89.0	3.50